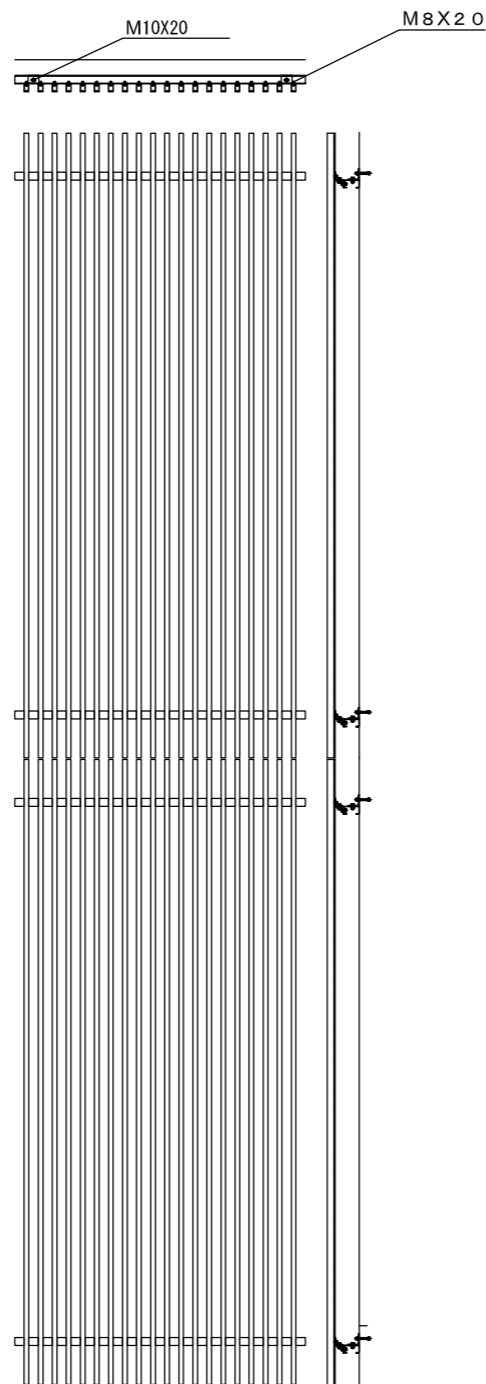
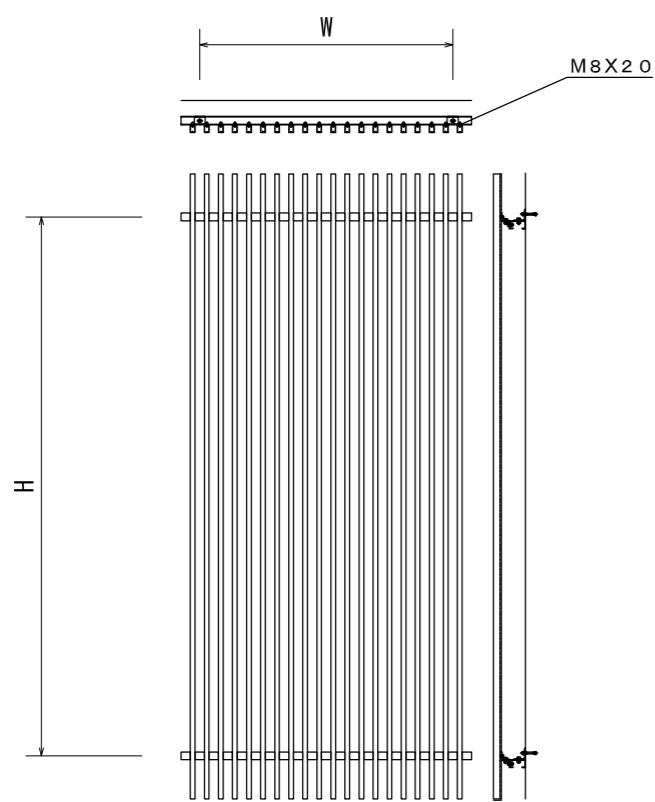




Standard Plan (Multiple panel)

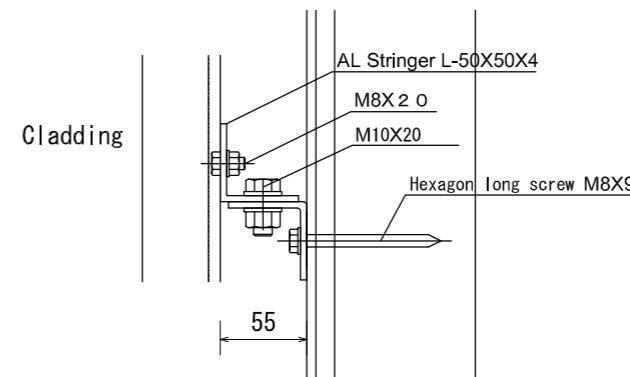


Standard Plan (single panel)

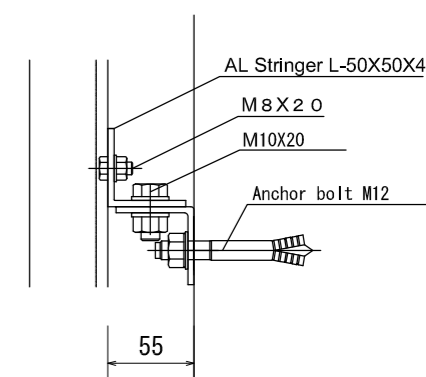


H and W are decided by the construction strong required performance.

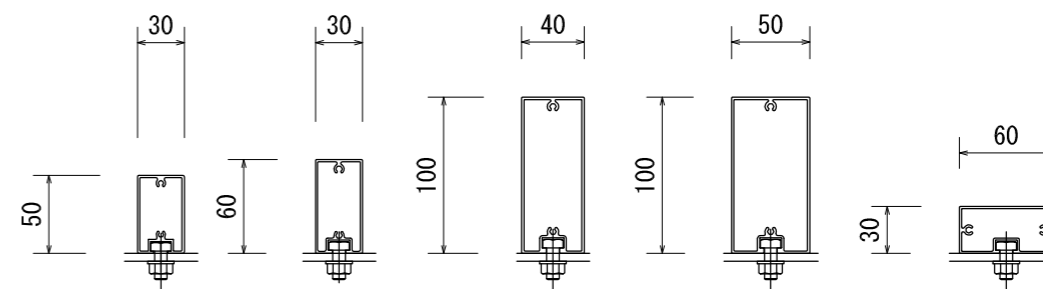
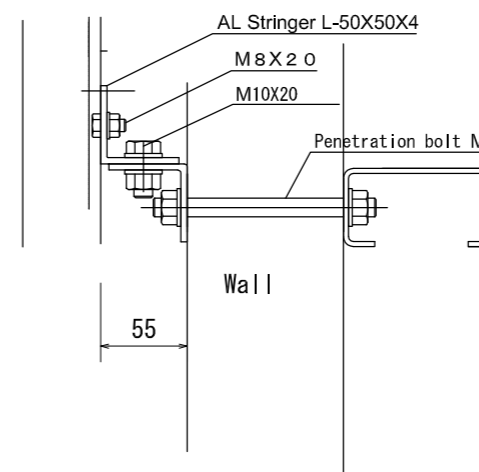
Wood structure



Concrete structure

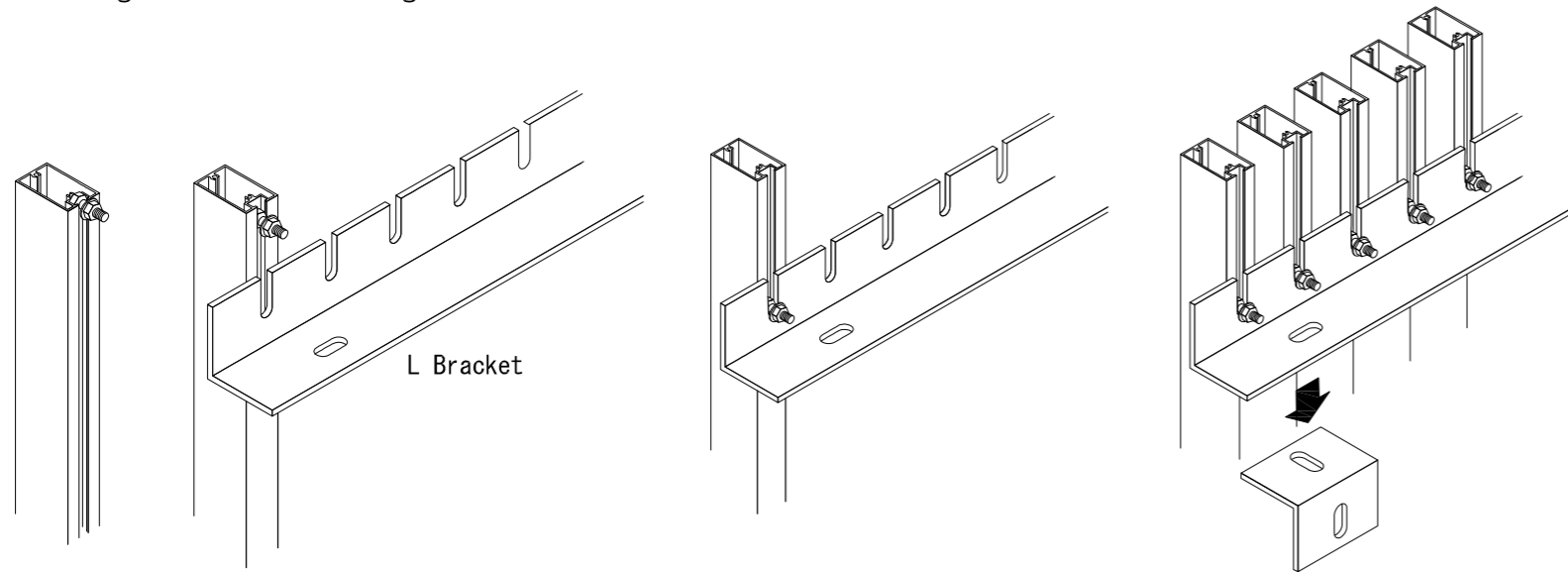


ALC autoclaved light weight concrete

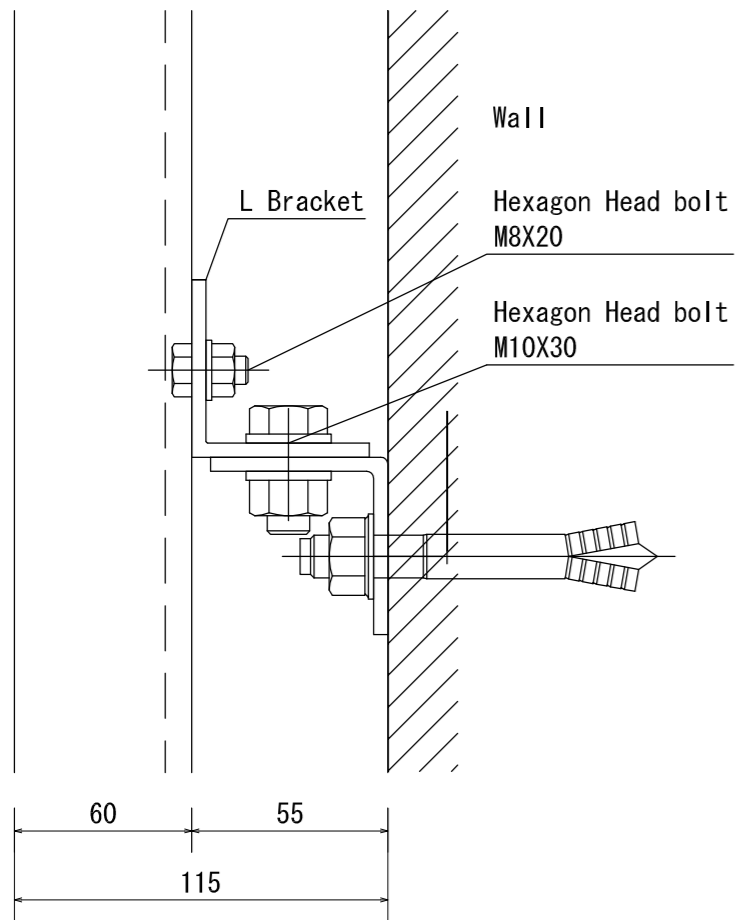


3				Product name				Project name	Creation date	Number	scale	projection
2				Ever Art Wood - Mitzosuki				Cladding standard plan	2018/05/01	1/2	not to scale	
1				Approval	Chek	Drawing	Design	Customer	Distributor		Manufacturer	
No.	DATE		Charge			Hotta	Hotta		covet			

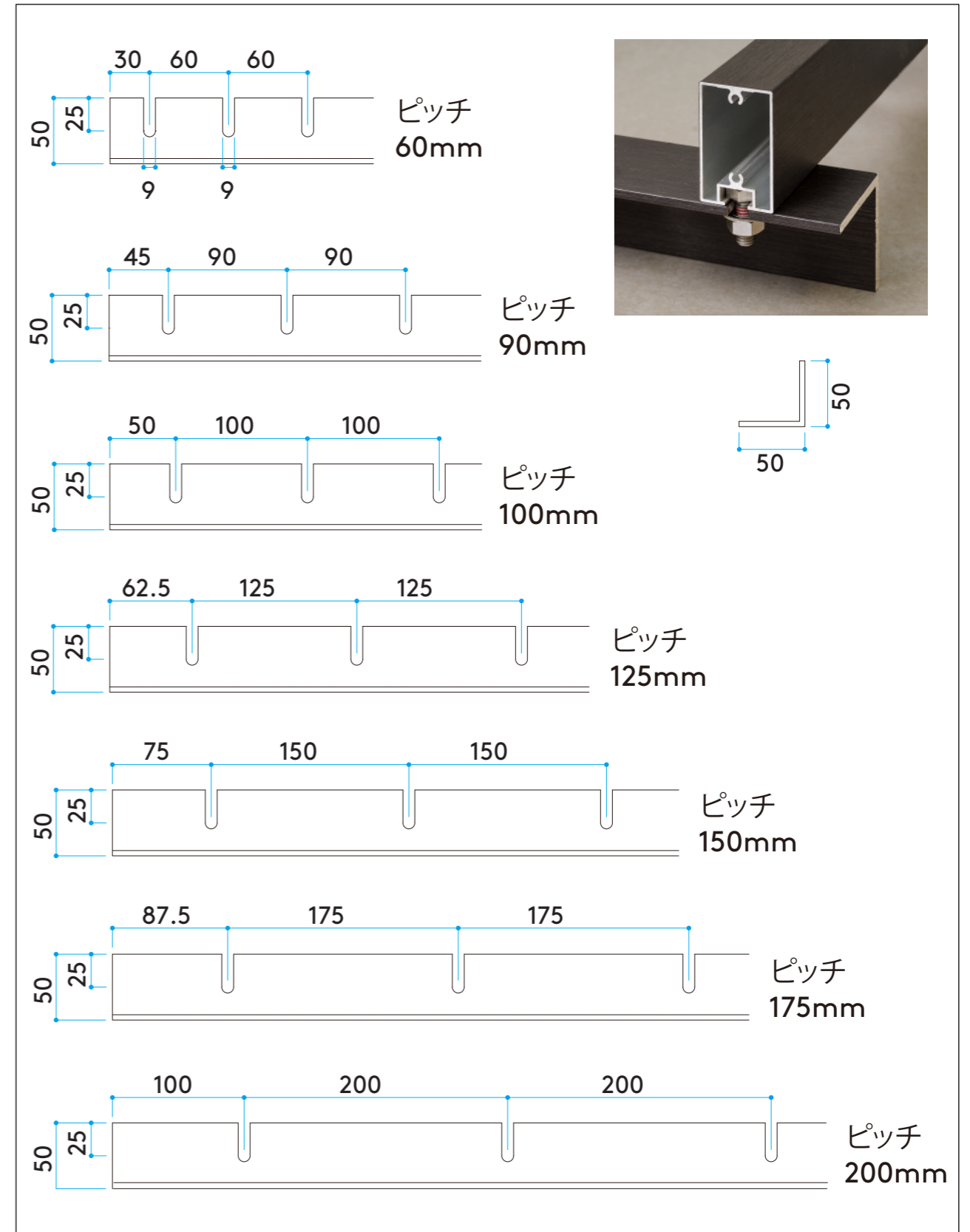
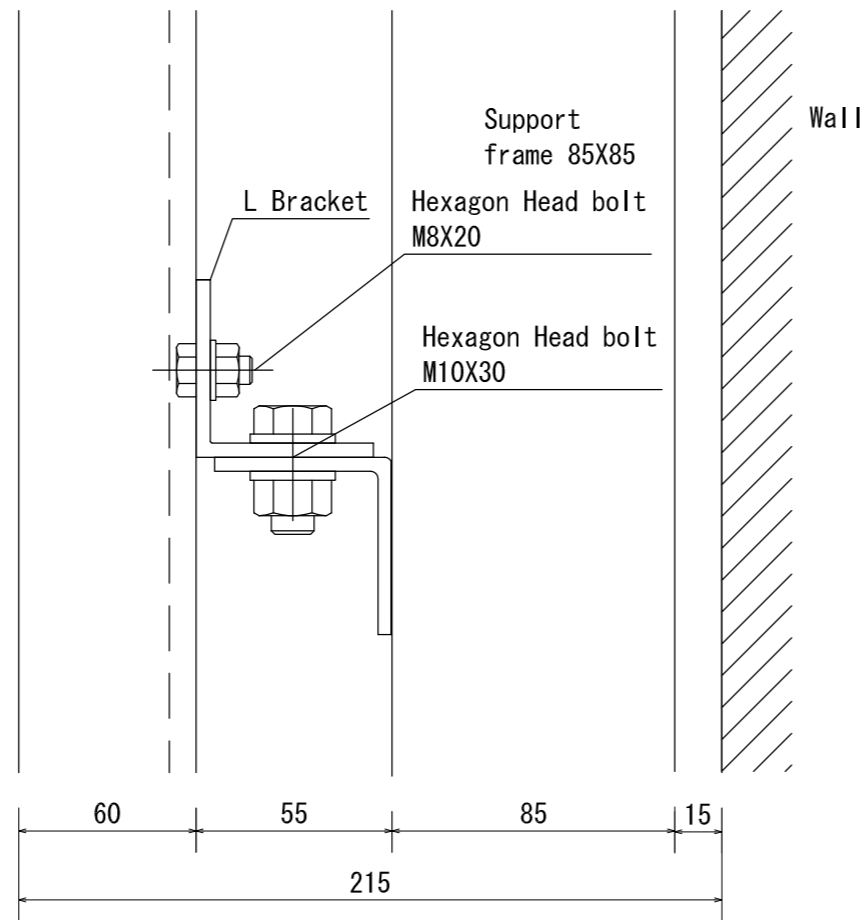
Cladding installation image



Direct installation method of construction



Support frame method of construction



3				Product name				Project name	Creation date	Number	scale	projection
2				Ever Art Wood - Mitzosuki				Cladding standard plan	2018/05/01	2/2	not to scale	⊕
1				Approval	Chek	Drawing	Design	Customer	Distributor		Manufacturer	
No.	DATE		Charge			Hotta	Hotta		covet		TAKASHO	