

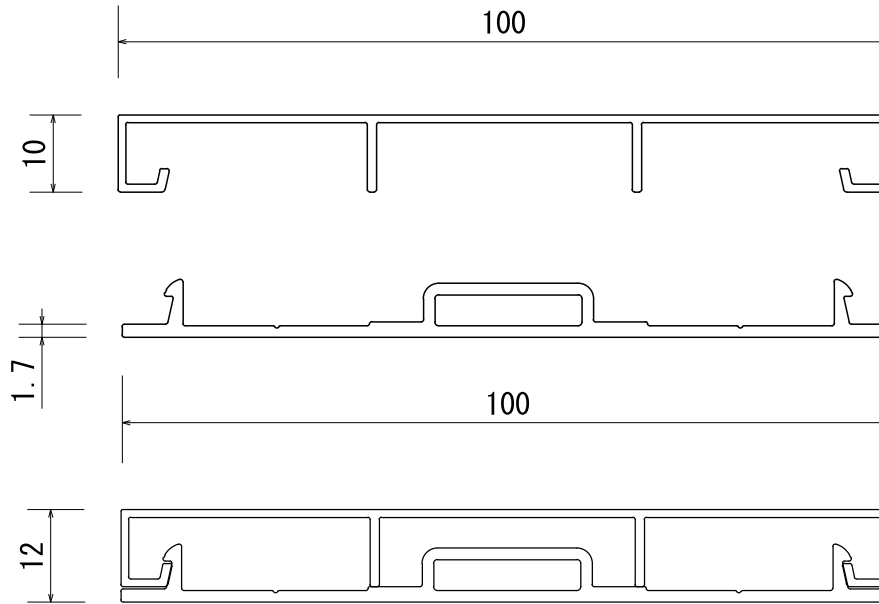
Kabebari batten detail

Profile: Plank 100x12mm

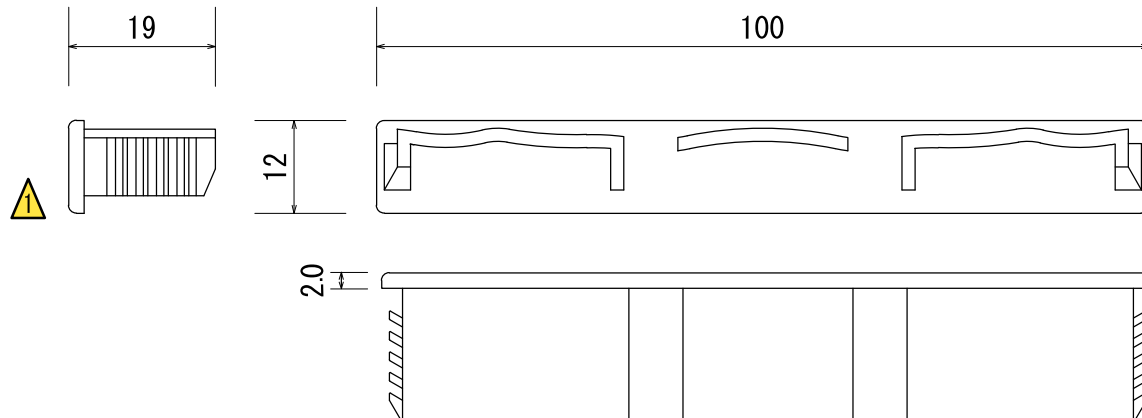
Base: 0.692kg/m

Cover: 0.417kg/m

Total: 1.109kg/m

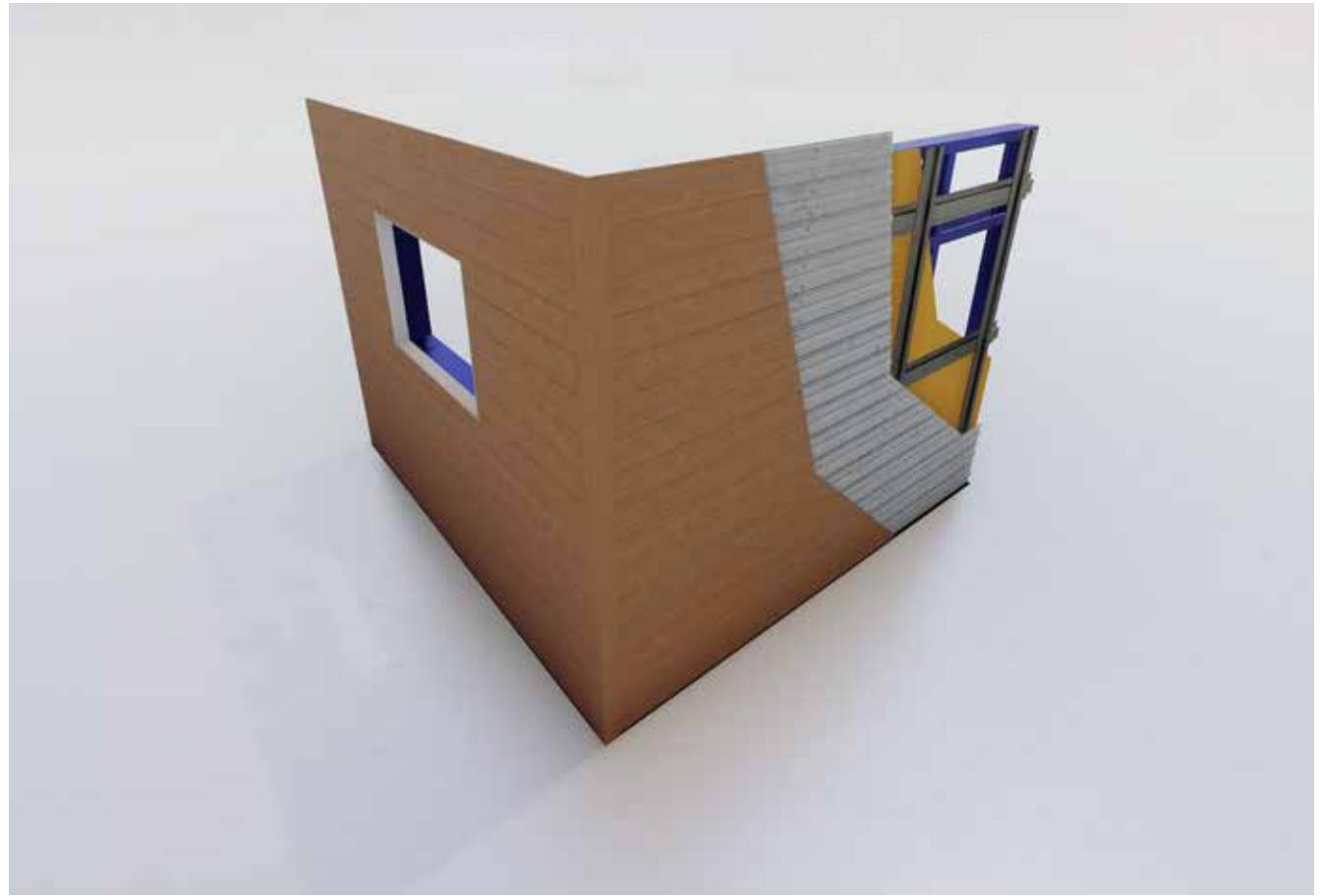
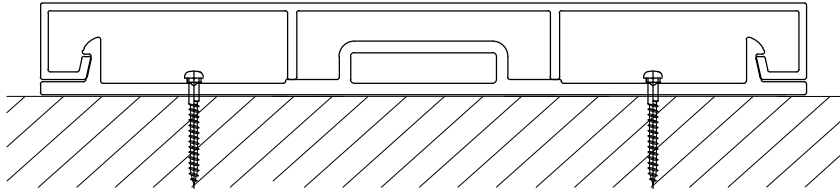






Endcap detail



3	Install	Ensure there is a 1mm gap between the base male sections when installing. Insufficient spacing will result in difficulty attaching female sections.	Product Name				Project Name	Creation Date	Page	Scale	Projection
		Never strike extrusion directly with a hammer or rubber mallet. Use a pine plank between the tool and the extrusion to avoid surface damage or denting.	Ever Art Wood - Kabebari				Plank 100x12		1 of 6	1:1	⊕
1	End caps	Apply exterior grade adhesive (Sikaflex) to secure cap to batten.	Approval	Chek	Drawing	Design	Customer	Distributor		Manufacturer	
		No. DATE						covet		TAKASHO	

Installation detail  



	Install	Ensure there is a 1mm gap between the base male sections when installing. Insufficient spacing will result in difficulty attaching female sections.	Product Name				Project Name	Creation Date	Page	Scale	Projection
		Install	Never strike extrusion directly with a hammer or rubber mallet. Use a pine plank between the tool and the extrusion to avoid surface damage or denting.	Ever Art Wood - Kabebari				Plank 100x12		2 of 6	1:1
	End caps	Apply exterior grade adhesive (Sikaflex) to secure cap to batten.	Approval	Chek	Drawing	Design	Customer	Distributor		Manufacturer	
No.	DATE							covet			

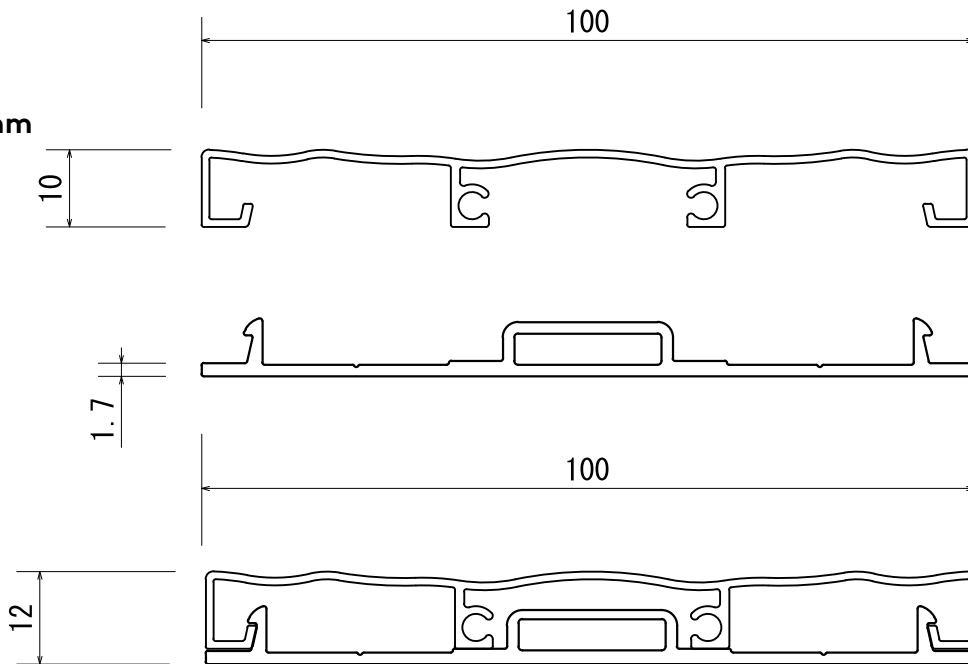
Kabebari batten detail

Profile: Nami Plank 100x12mm

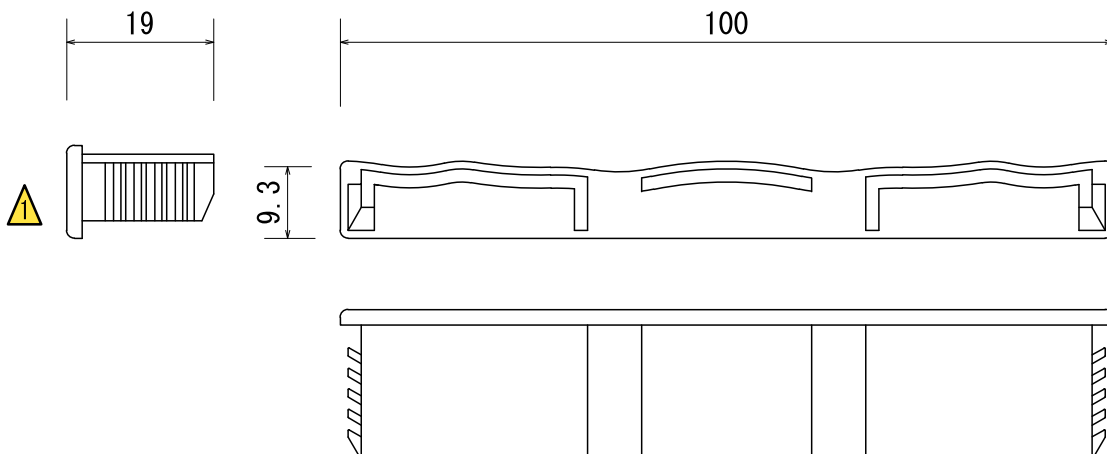
Base: 0.692kg/m

Cover: 0.458kg/m

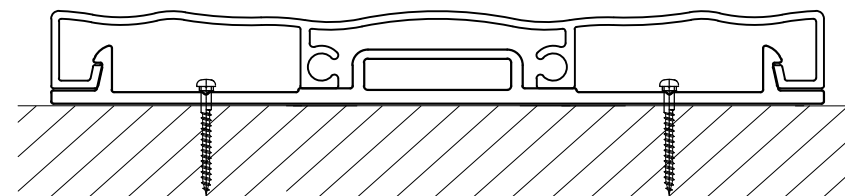
Total: 1.15kg/m







Endcap detail



Installation detail



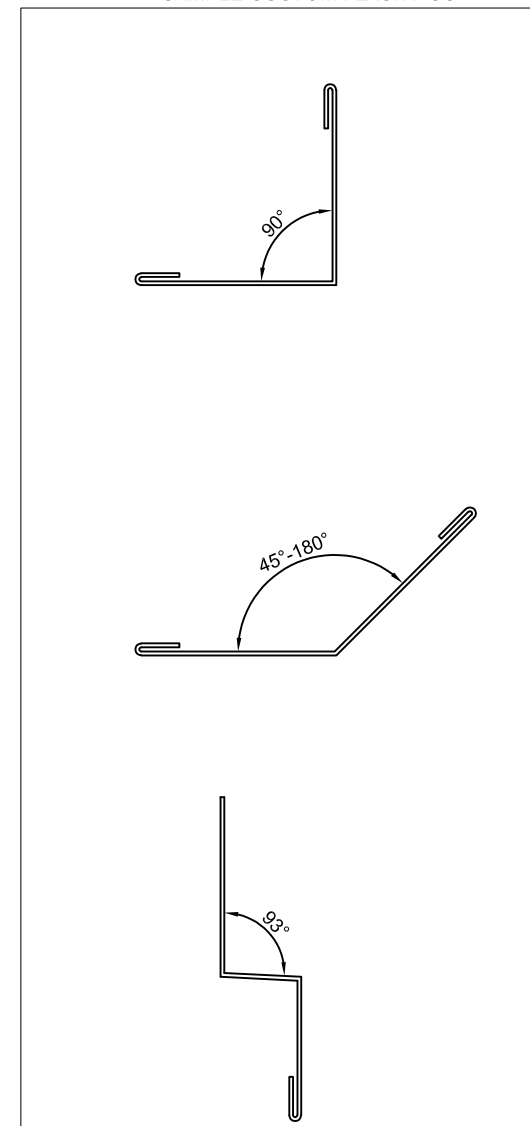
Not to scale






	Install	Ensure there is a 1mm gap between the base male sections when installing. Insufficient spacing will result in difficulty attaching female sections.	Product Name				Project Name	Creation Date	Page	Scale	Projection
		Install	Never strike extrusion directly with a hammer or rubber mallet. Use a pine plank between the tool and the extrusion to avoid surface damage or denting.	Ever Art Wood - Kabebari				Nami Plank 100x12		3 of 6	1:1
	End caps	Apply exterior grade adhesive (Sikaflex) to secure cap to batten.	Approval	Chek	Drawing	Design	Customer	Distributor		Manufacturer	
No.	DATE							covet			

Kabebari 100x12 Plank Batten Installation Guide

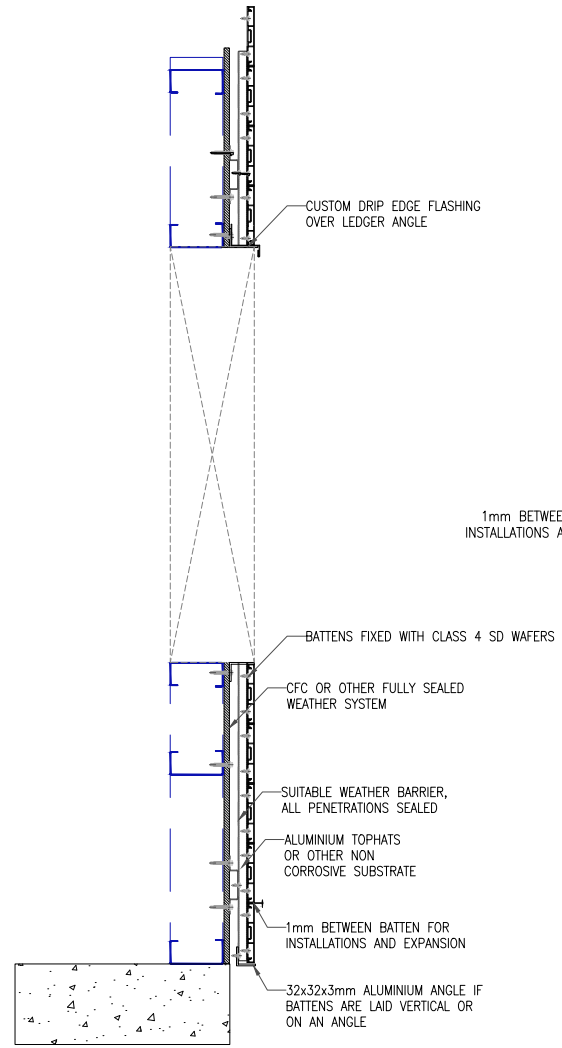
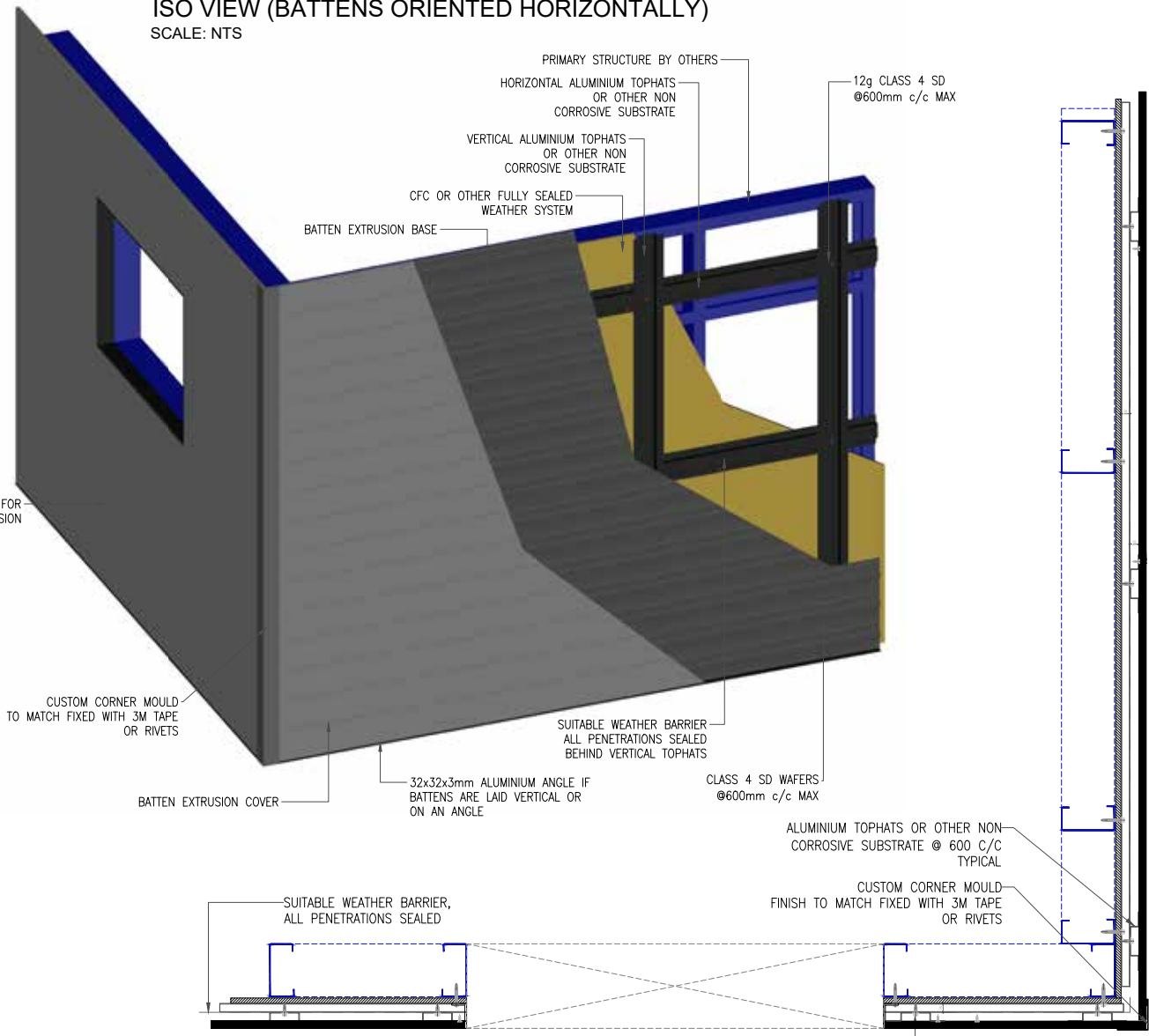
- The aluminium battens are not a weatherproof system or a rainscreen. The underlying building envelope must form the weatherline. The details for the building envelope shown in this documentation are for demonstration purposes only. A registered building practitioner or facade engineer should be engaged to ensure the building envelope and weatherproofing is compliant.
- Aluminium can be damaged if mishandled. Never strike directly with a hammer or rubber mallet. Use a pine plank between the striking rubber mallet and the extrusion to avoid surface damage or denting.
- Cut aluminium with a drop saw using a fine tooth aluminium blade (example 120 tooth 255mm diameter aluminium blade).
- Always cap ends of extrusions with supplied end caps to avoid moisture ingress unless cover flashings are being used.
- Plastic end caps must be securely inserted with screws supplied or sikafelx applied to the inside of the extrusion before inserting.
- Custom folded flashings must be screwed, riveted or structurally taped to the extrusions and must not be load bearing. If a load bearing flashing is required it is recommended an appropriately sized aluminium angle is provided and overflashed with a custom Covet flashing for colour consistency.
- Plastic end caps can only be applied to straight 90 degree cuts. They cannot be applied to angle end cuts. A sample of available custom folded flashings is provided in this installation guide.
- Ensure appropriate screws are used to suit the substrate you are fastening to. It is important to use Class 4 stainless steel or bi-metal screws for all metal surfaces impacted when fastening (i.e. furring channels, top hats, steel frames). This will prevent galvanic reaction between the screw/substrate and aluminium extrusion.
- Fasten at maximum 1 metre spans. Please contact Covet for further information.
- Always fasten the male (base) section first. The female (top section) clips over the top. They can also slide on if necessary.
- When stacking 12x100 planks ensure there is a 1mm gap between the base male sections. Failure to allow sufficient spacing will result in difficulty attaching female sections.
- Where battens are installed vertically or on an angle, a ledger angle is required at the base to prevent the female section of the extrusion from slipping.

SAMPLE CUSTOM FLASHINGS



	Install	Ensure there is a 1mm gap between the base male sections when installing. Insufficient spacing will result in difficulty attaching female sections.	Product Name				Project Name	Creation Date	Page	Scale	Projection
	Install	Never strike extrusion directly with a hammer or rubber mallet. Use a pine plank between the tool and the extrusion to avoid surface damage or denting.	Ever Art Wood - Kabebari				Plank & Nami Plank 100x12		4 of 6	1:1	
	End caps	Apply exterior grade adhesive (Sikaflex) to secure cap to batten.	Approval	Chek	Drawing	Design	Customer	Distributor		Manufacturer	
No.	DATE							covet			

ISO VIEW (BATTENS ORIENTED HORIZONTALLY) SCALE: NTS



WALL SECTION VIEW (WINDOW OPENING)
SCALE: NTS



PLAN VIEW
SCALE: NTS

3	Install	Ensure there is a 1mm gap between the base male sections when installing. Insufficient spacing will result in difficulty attaching female sections.
2	Install	Never strike extrusion directly with a hammer or rubber mallet. Use a pine plank between the tool and the extrusion to avoid surface damage or denting.
1	End caps	Apply exterior grade adhesive (Sikaflex) to secure cap to batten.
No.	DATE	

Product Name				Project Name		Creation Date	Page	Scale	Projection
Ever Art Wood - Kabebari				Plank & Nami Plank 100x12			5 of 6	1:1	⊕
Approval	Chek	Drawing	Design	Customer		Distributor		Manufacturer	
						covet		TAKASHO	

