

Koshi batten detail

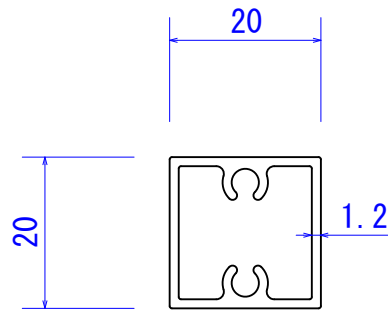
Profile: Koshi Square 20x20

Weight: 0.316kg/m

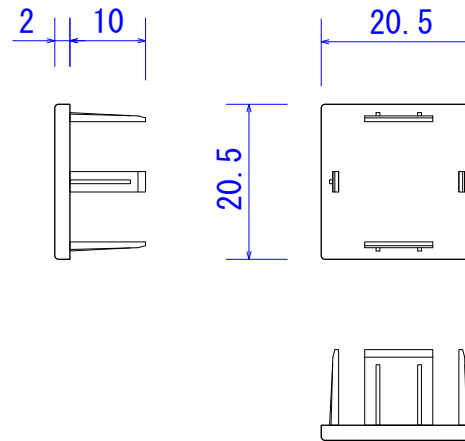
Batten thickness: 1.2mm


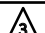


End cap thickness: 2.0mm

End cap: Coloured ABS plastic








Endcap detail



		Product Name				Project Name		Date	Page	Scale	Projection	
		KOSHI SQUARE 20X20						07/2021	1 of 2	1:1		
	Install	Never strike extrusion directly with a hammer or rubber mallet. Use a pine plank between the tool and the extrusion to avoid surface damage or denting.				Approval	Check	Drawing	Design	 Covet International 27 / 131 Hyde St Yarraville VIC 3013		
	End Caps	Screw fix or apply exterior grade adhesive (Sikaflex) to secure cap to batten.										

Koshi Batten Installation Guide

- Aluminium can be damaged if mishandled. Never strike directly with a hammer or rubber mallet. Use a pine plank between the striking rubber mallet and the extrusion to avoid surface damage or denting.
- Cut aluminium with a drop saw using an aluminium blade.
- Always cap ends of extrusions with supplied end caps or a flashing to avoid moisture ingress.
- Metal end caps (painted) must be screwed to the extrusion.
- All end caps can only be applied to straight 90 degree cuts. They cannot be applied to angle end cuts.
- Ensure appropriate screws are used to suit the substrate you are fastening to. It is important to use stainless steel or bi-metal screws for all metal surfaces impacted when fastening (i.e. furring channels, top hats, steel frames). This will prevent galvanic reaction between the screw/substrate and aluminium extrusion.
- Fasten at maximum 1 metre spans. Please contact Covet for further information.

		Product Name				Project Name		Date	Page	Scale	Projection
		KOSHI BATTENS						07/2021	2 of 2		
											
	Install	Never strike extrusion directly with a hammer or rubber mallet. Use a pine plank between the tool and the extrusion to avoid surface damage or denting.	Approval	Check	Drawing	Design	 <div style="display: flex; justify-content: space-between; font-size: small;"> <div> Covet International 27 / 131 Hyde St Yarraville VIC 3013 </div> <div> T +613 9398 8128 info@covet.com.au www.covet.com.au </div> </div>				
	End Caps	Screw fix or apply exterior grade adhesive (Sikaflex) to secure cap to batten.									