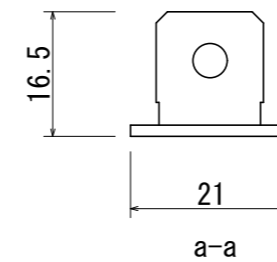
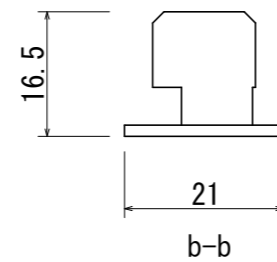
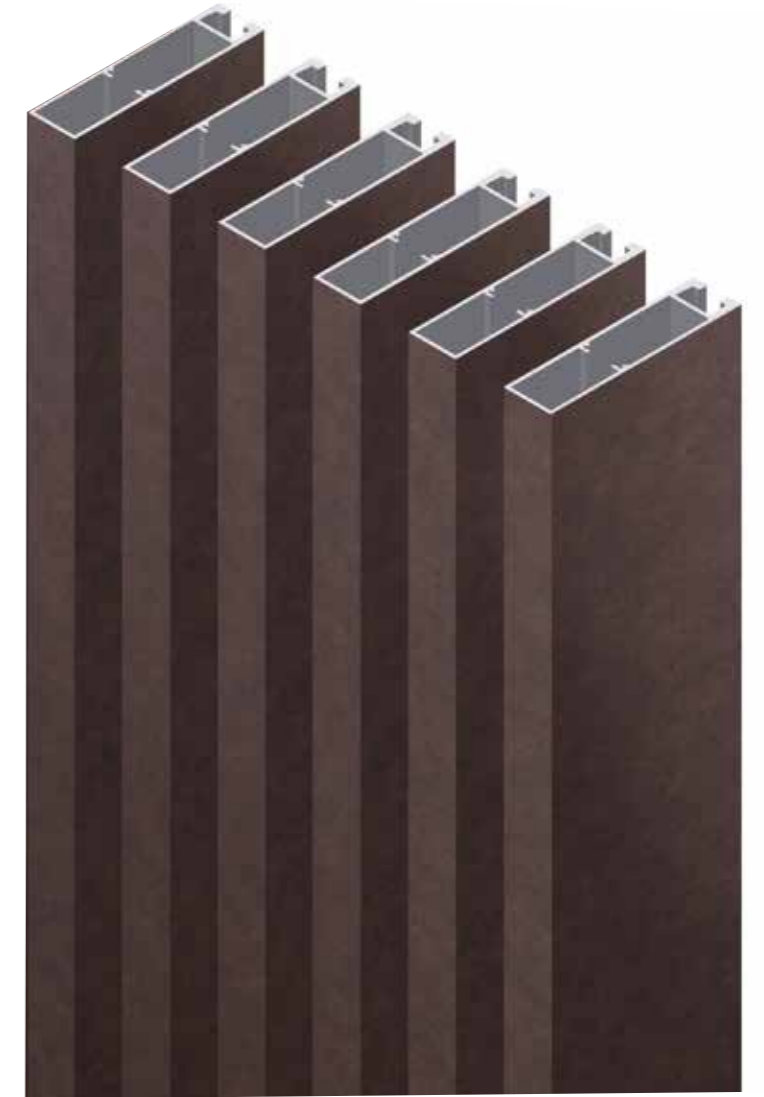
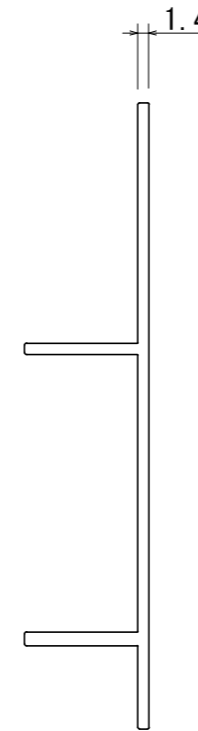
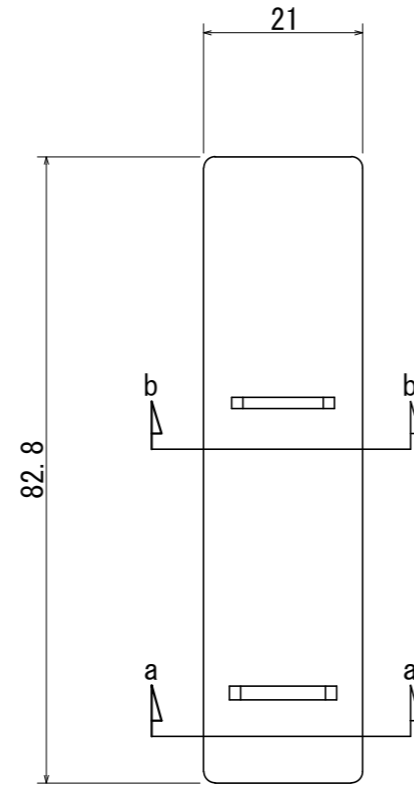
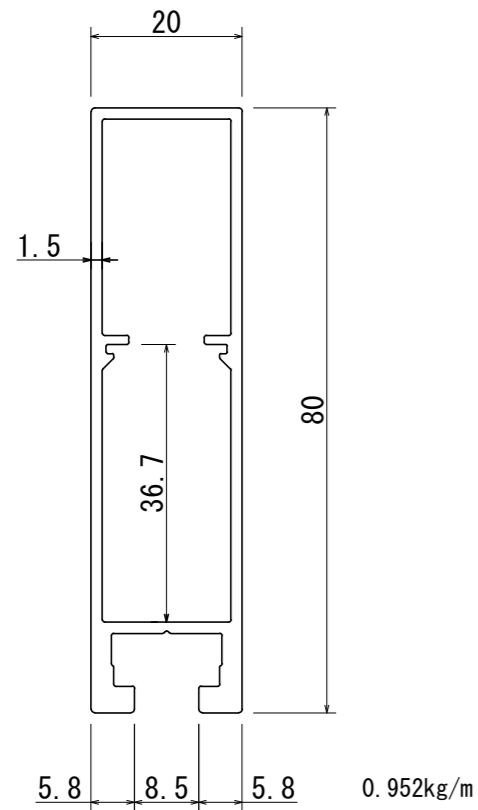


Mizotsuki Batten System detail

Profile: Mizotsuki 20X80

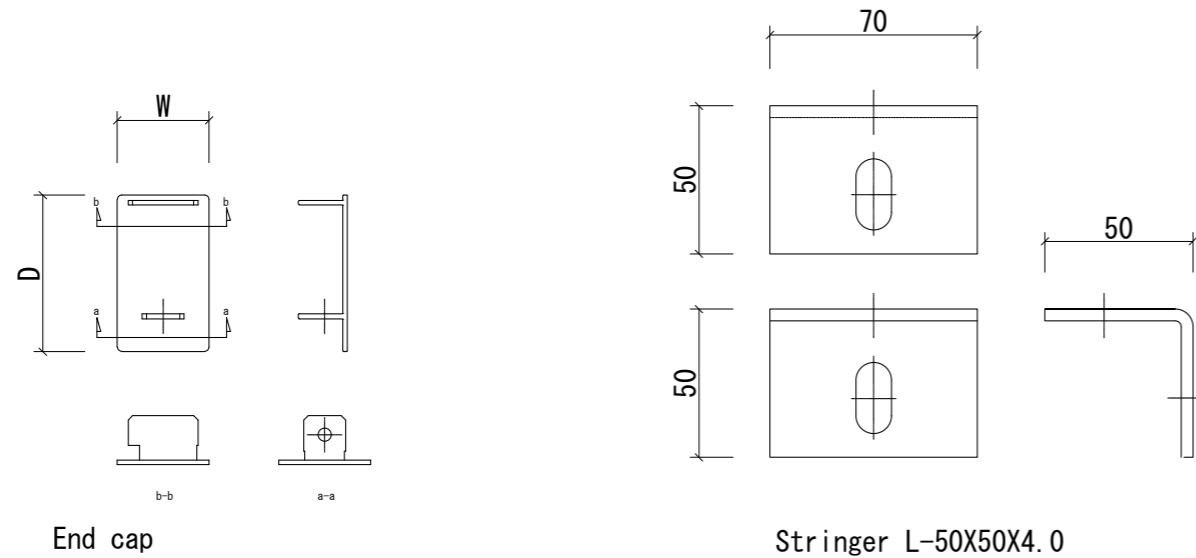
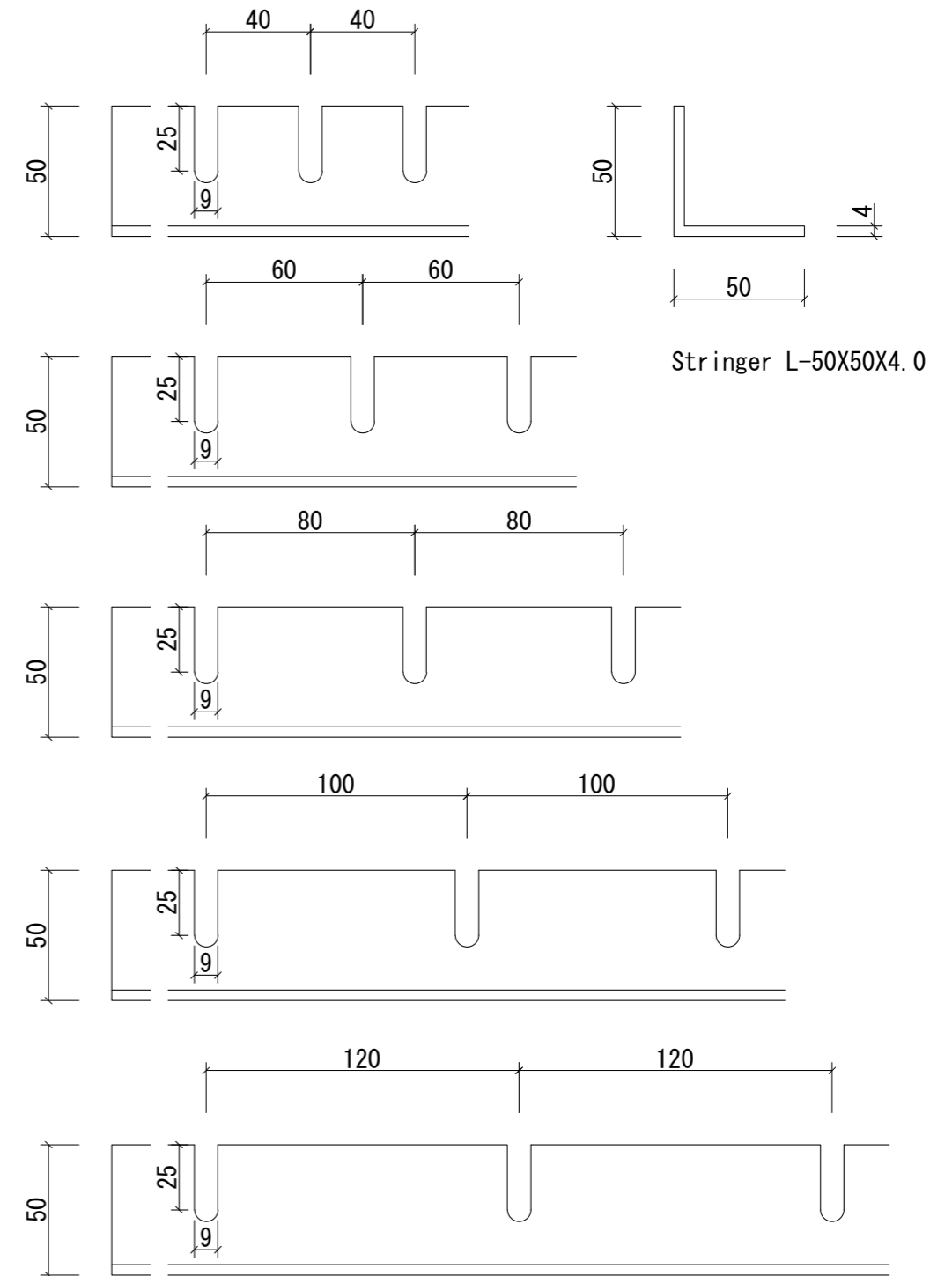
Batten: 0.952 kg/m



		Product Name				Project Name	Date	Page	Scale	Projection
		MIZOTSUKI 20X80					06/2021	1 of 4	1:1 (A3)	
3		Approval	Check	Drawing	Design	covet [®]		Covet International 27 / 131 Hyde St Yarraville VIC 3013		T +613 9398 8128 info@covet.com.au www.covet.com.au
2										
1										

Mizotsuki Batten System detail

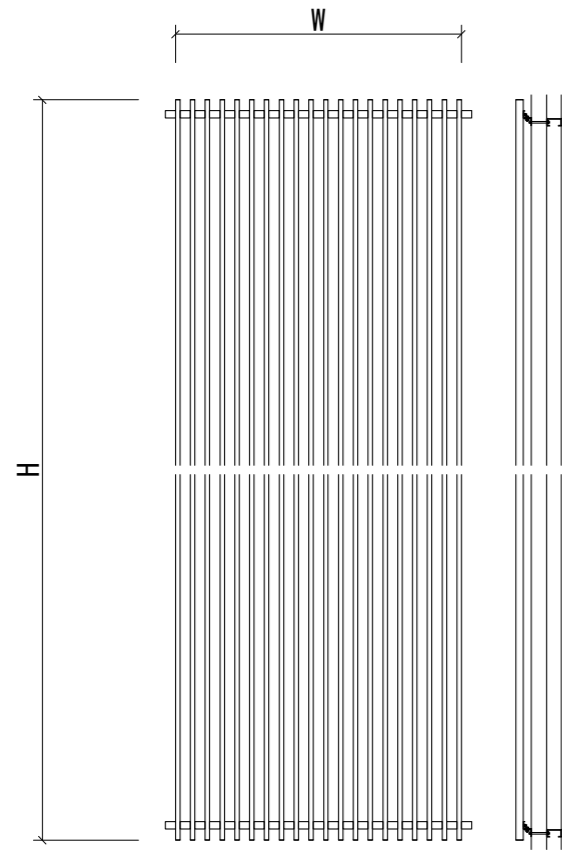
Profile: Mizotsuki L Brackets



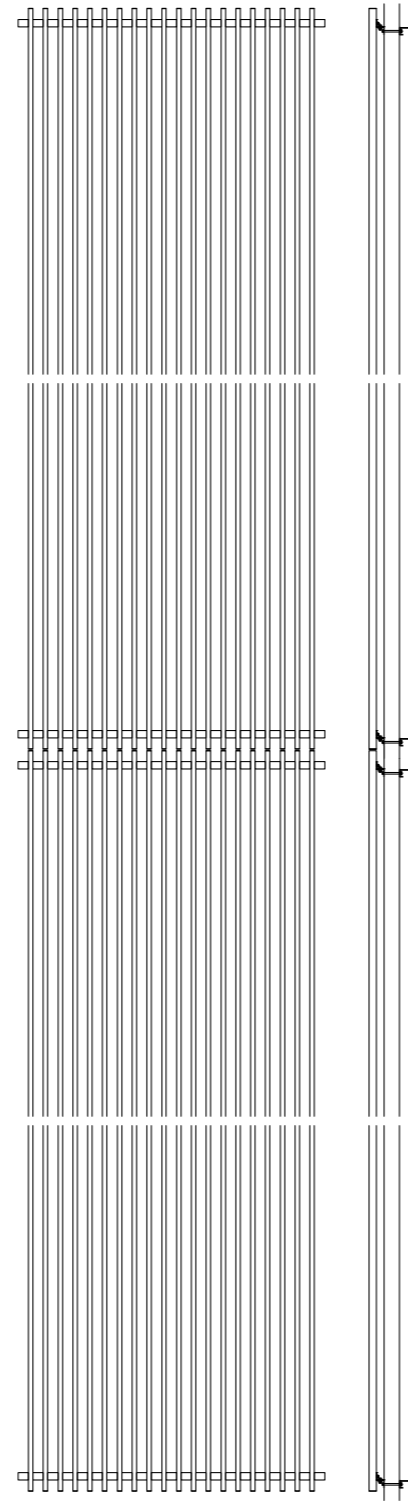
		Product Name				Project Name	Date	Page	Scale	Projection
		MIZOTSUKI L BRACKETS					06/2021	2 of 4	1:50 (A3)	
		Approval	Check	Drawing	Design			Covet International 27 / 131 Hyde St Yarraville VIC 3013		T +613 9398 8128 info@covet.com.au www.covet.com.au

Mizotsuki Batten System detail

Profile: Mizotsuki Fixings

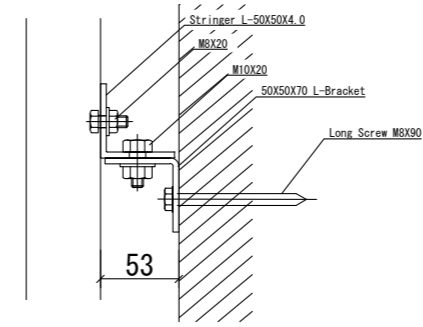


SINGLE PANEL

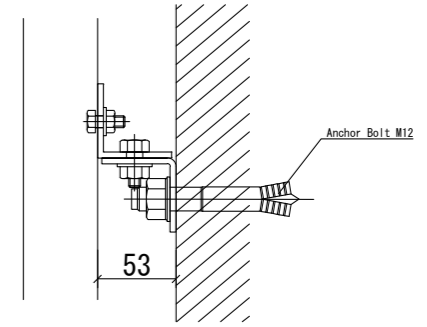


MULTIPLE PANEL

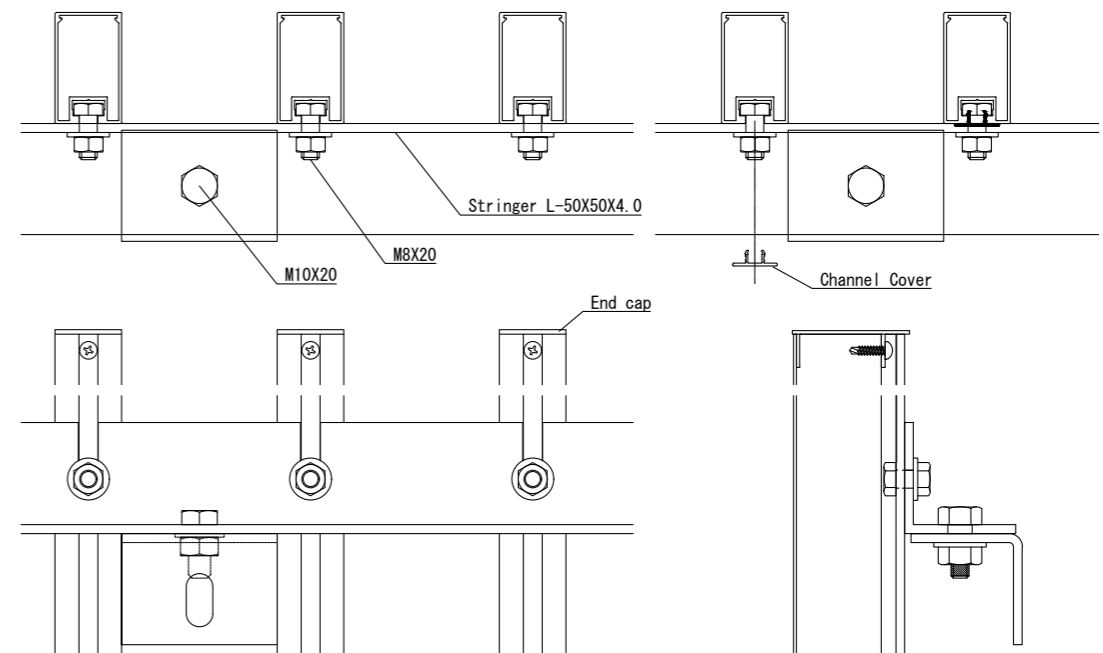
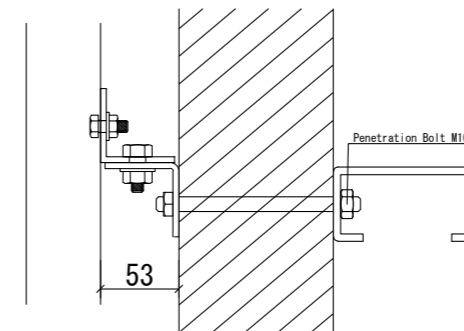
WOOD STRUCTURE



CONCRETE STRUCTURE



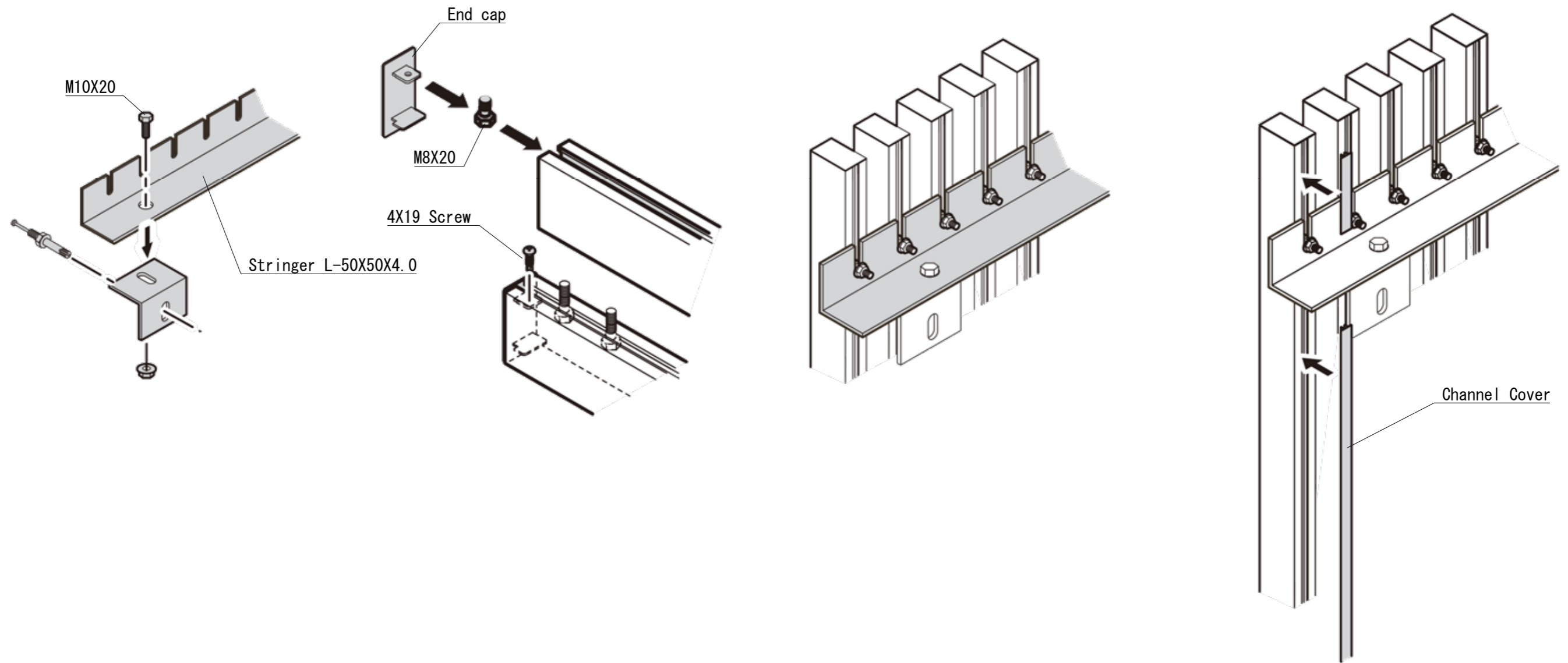
ALC AUTOCLAVED LIGHT WEIGHT CONCRETE




		Product Name				Project Name	Date	Page	Scale	Projection
		MIZOTSUKI FIXINGS					06/2021	3 of 4		
3		Approval	Check	Drawing	Design			Covet International 27 / 131 Hyde St Yarraville VIC 3013		T +613 9398 8128 info@covet.com.au www.covet.com.au
2										
1										

Mizotsuki Batten System detail

Installation



		Product Name				Project Name	Date	Page	Scale	Projection	
		MIZOTSUKI INSTALLATION					06/2021	4 of 4		⊕	
3		Approval	Check	Drawing	Design			Covet International 27 / 131 Hyde St Yarraville VIC 3013		T +613 9398 8128 info@covet.com.au www.covet.com.au	
2											
1											