

Koshi batten detail

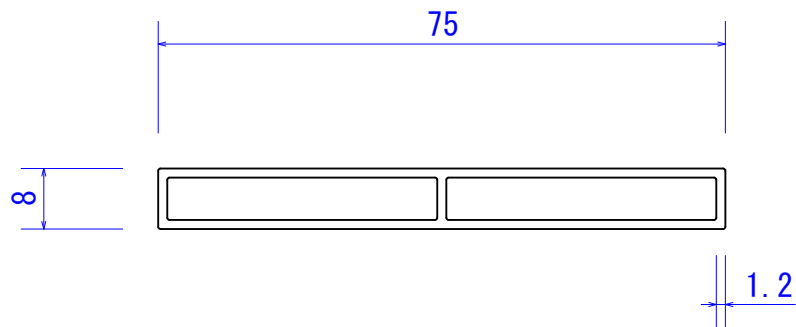
Profile: Plank 75x8 (square edge)

Weight: 0.541 kg/m

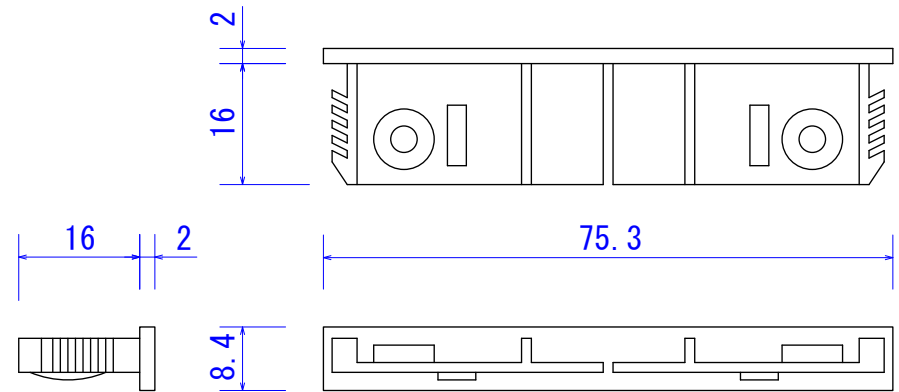
Batten thickness: 1.2mm






End cap thickness: 2.0mm

End cap: Coloured ABS plastic



Endcap detail



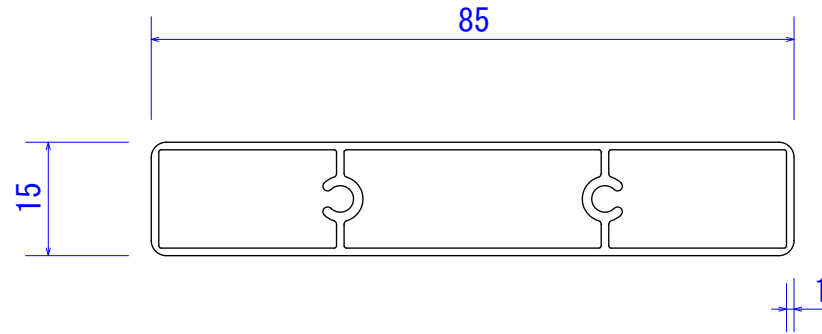
		Product Name				Project Name		Date	Page	Scale	Projection	
		KOSHI PLANK 75x8						07/2021	1 of 7	1:1		
												
	Install	Never strike extrusion directly with a hammer or rubber mallet. Use a pine plank between the tool and the extrusion to avoid surface damage or denting.				Approval	Check	Drawing	Design	 Melbourne Showroom 2 Ginibi Drive Altona North VIC 3025 T +613 9398 8128 info@covet.com.au www.covet.com.au		
	End Caps	Screw fix or apply exterior grade adhesive (Sikaflex) to secure cap to batten.										

Koshi batten detail

Profile: Plank 85x15 (square edge)

Weight: 0.641 kg/m

Batten thickness: 1.0mm



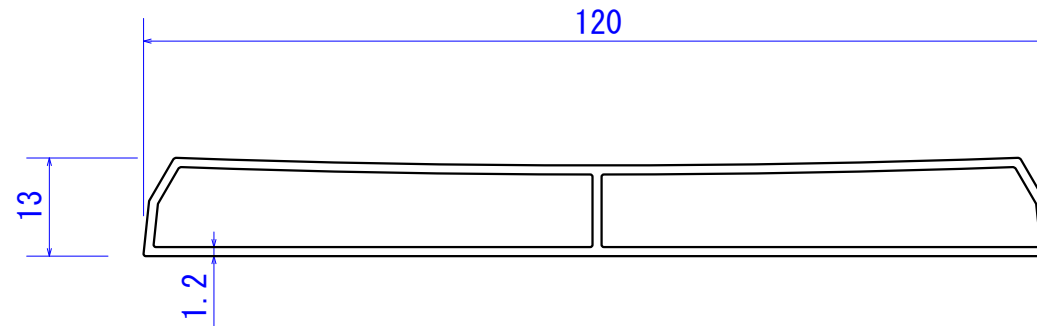
		Product Name				Project Name		Date	Page	Scale	Projection
		KOSHI PLANK 85X15						07/2021	2 of 7	1:1	
						covet [®]		Melbourne Showroom 2 Ginibi Drive Altona North VIC 3025		T +613 9398 8128 info@covet.com.au www.covet.com.au	
	Install	Never strike extrusion directly with a hammer or rubber mallet. Use a pine plank between the tool and the extrusion to avoid surface damage or denting.									
		Approval	Check	Drawing	Design						

Koshi batten detail

Profile: Plank 120x13 (round edge)

Weight: 0.858kg/m

Batten thickness: 1.2mm



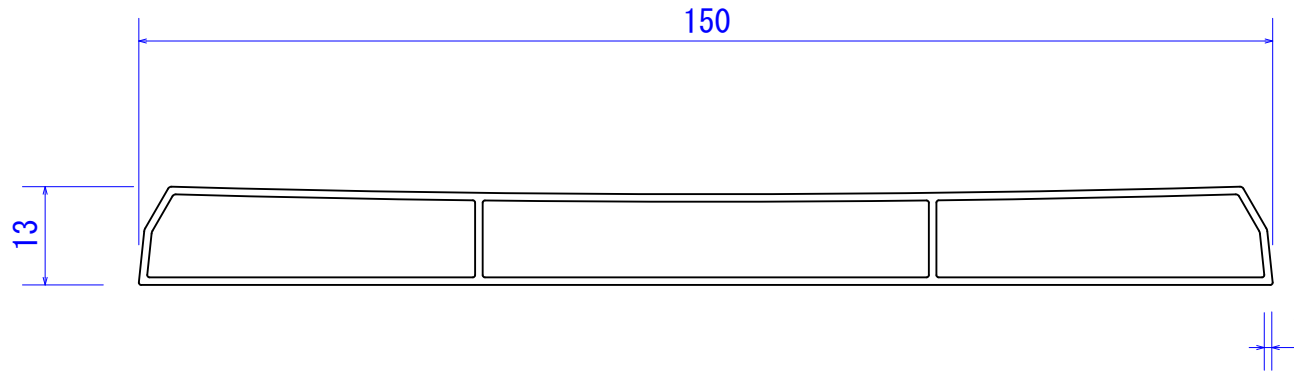
		Product Name				Project Name		Date	Page	Scale	Projection
		KOSHI PLANK 120X13 (round)						07/2021	3 of 7	1:1	
	Install	Never strike extrusion directly with a hammer or rubber mallet. Use a pine plank between the tool and the extrusion to avoid surface damage or denting.				Approval		Check	Drawing	Design	
								Melbourne Showroom 2 Ginibi Drive Altona North VIC 3025		T +613 9398 8128 info@covet.com.au www.covet.com.au	

Koshi batten detail

Profile: Plank 150x13 (round edge)

Weight: 0.925kg/m

Batten thickness: 1.0mm

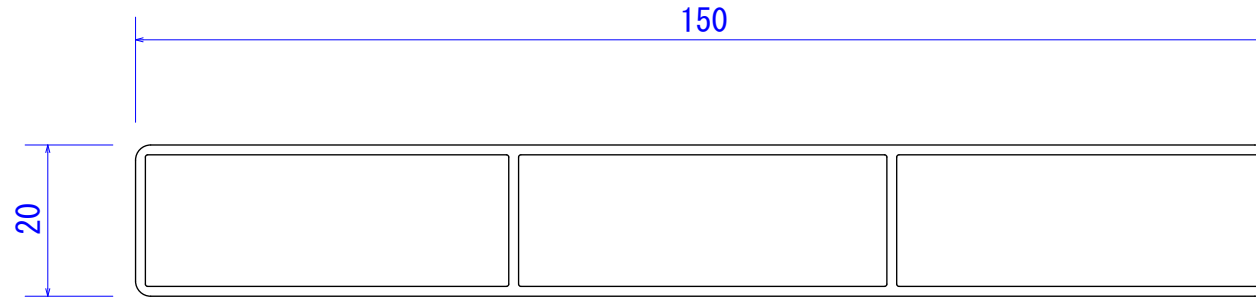


		Product Name				Project Name	Date	Page	Scale	Projection
		KOSHI PLANK 150X13 (round)					07/2021	4 of 7	1:1	
						covet [®]		Melbourne Showroom 2 Ginibi Drive Altona North VIC 3025		T +613 9398 8128 info@covet.com.au www.covet.com.au
	Install	Never strike extrusion directly with a hammer or rubber mallet. Use a pine plank between the tool and the extrusion to avoid surface damage or denting.								

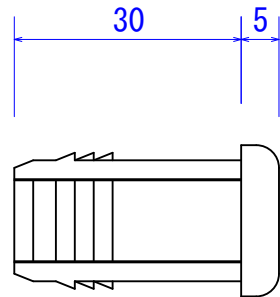
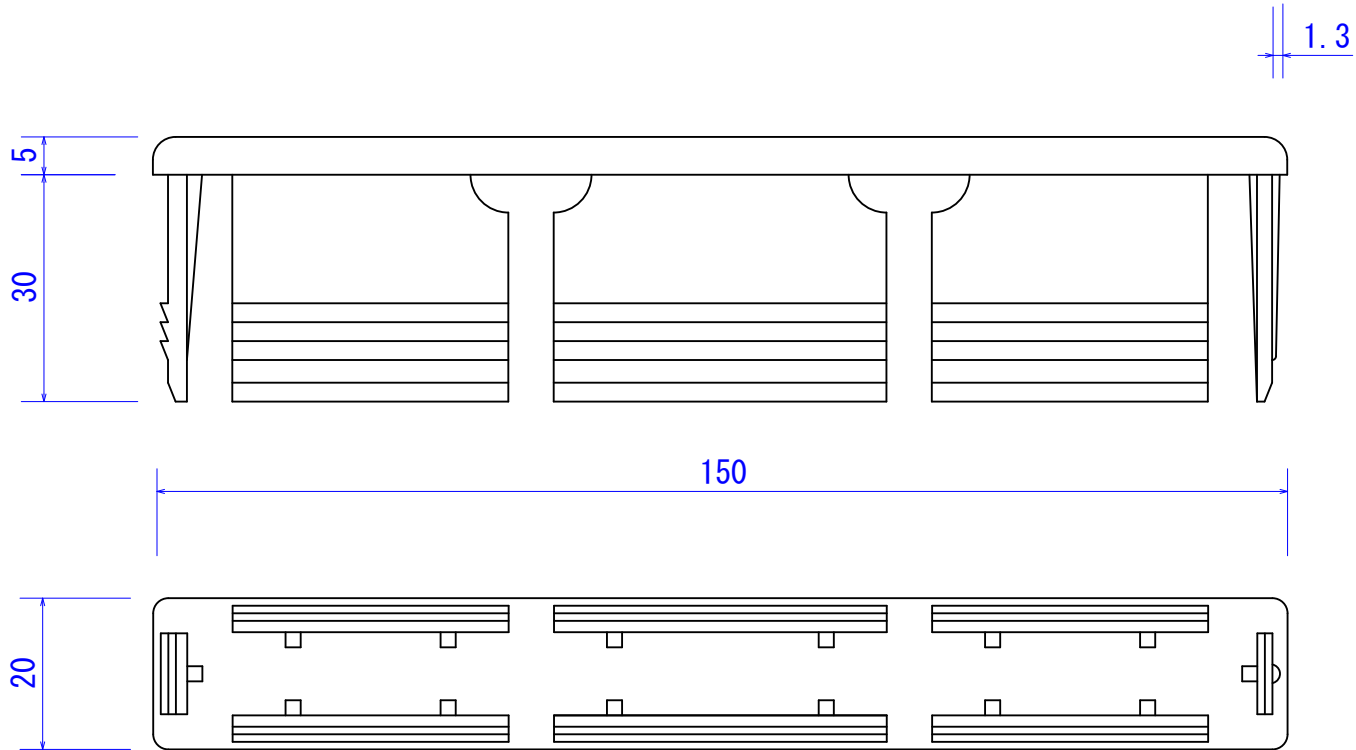
Koshi batten detail






Profile: Plank 150x20 (square edge)

Weight: 1.329 kg/m
 Batten thickness: 1.3mm
 End cap thickness: 5.0mm
 End cap: Coloured ABS plastic



Endcap detail



		Product Name				Project Name		Date	Page	Scale	Projection
		KOSHI PLANK 150X20						07/2021	5 of 7	1:1	
											
	Install	Never strike extrusion directly with a hammer or rubber mallet. Use a pine plank between the tool and the extrusion to avoid surface damage or denting.				Approval	Check	Drawing	Design	 Melbourne Showroom 2 Ginibi Drive Altona North VIC 3025 T +613 9398 8128 info@covet.com.au www.covet.com.au	
	End Caps	Screw fix or apply exterior grade adhesive (Sikaflex) to secure cap to batten.									

Koshi batten detail

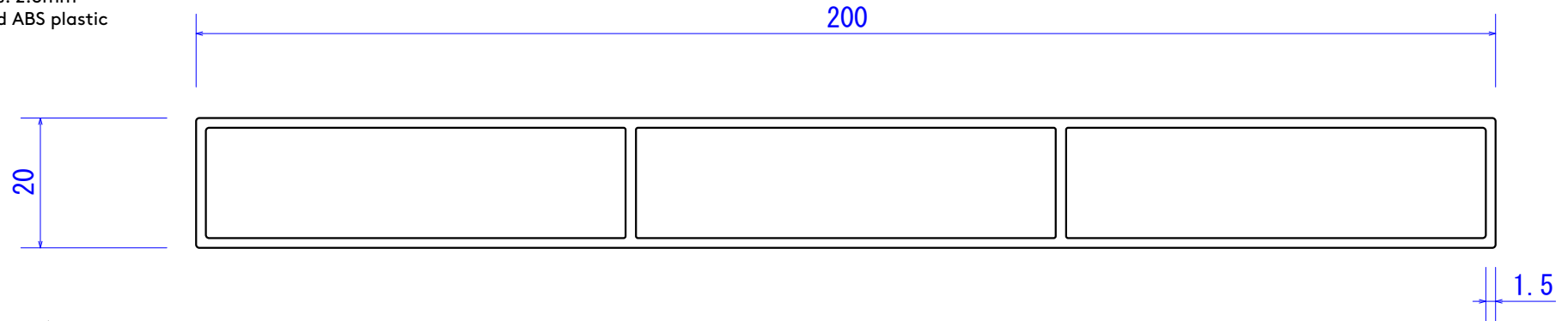
Profile: Plank 200x20 (square edge)

Weight: 1.905 kg/m

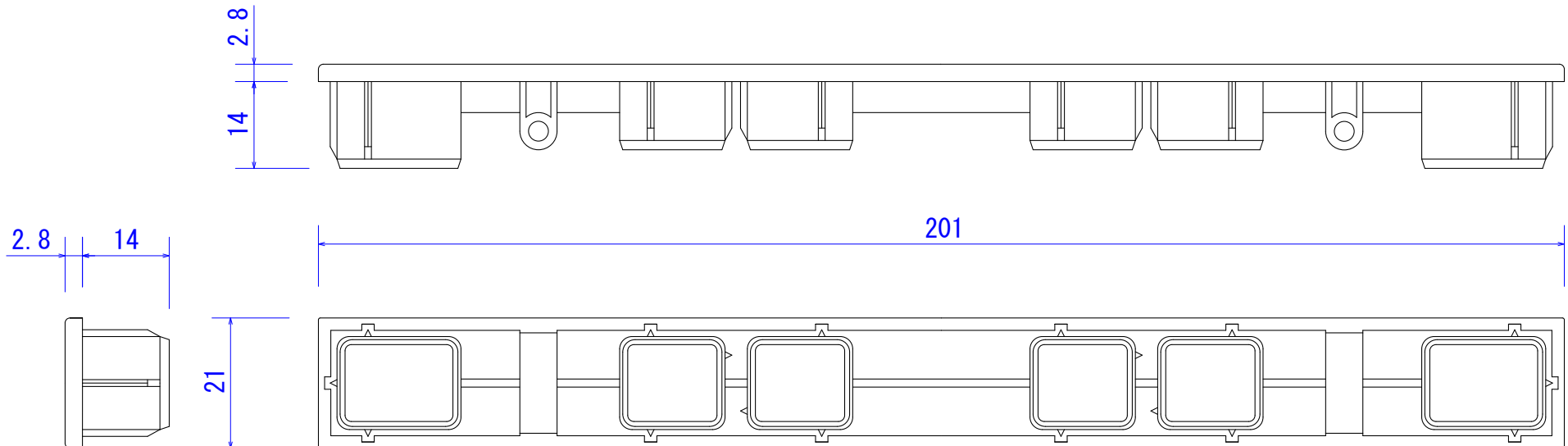
Batten thickness: 1.5mm

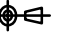



End cap thickness: 2.8mm

End cap: Coloured ABS plastic




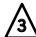



Endcap detail



		Product Name				Project Name		Date	Page	Scale	Projection
		KOSHI PLANK 200X20						07/2021	6 of 7	1:1	
	Install	Never strike extrusion directly with a hammer or rubber mallet. Use a pine plank between the tool and the extrusion to avoid surface damage or denting.		Approval	Check	Drawing	Design	 <div style="display: flex; justify-content: space-between;"> <div> <p>Melbourne Showroom 2 Ginibi Drive Altona North VIC 3025</p> </div> <div> <p>T +613 9398 8128 info@covet.com.au www.covet.com.au</p> </div> </div>			
	End Caps	Screw fix or apply exterior grade adhesive (Sikaflex) to secure cap to batten.									

Koshi Batten Installation Guide

- Aluminium can be damaged if mishandled. Never strike directly with a hammer or rubber mallet. Use a pine plank between the striking rubber mallet and the extrusion to avoid surface damage or denting.
- Cut aluminium with a drop saw using an aluminium blade.
- Always cap ends of extrusions with supplied end caps or a flashing to avoid moisture ingress.
- Metal end caps (painted) must be screwed to the extrusion.
- All end caps can only be applied to straight 90 degree cuts. They cannot be applied to angle end cuts.
- Ensure appropriate screws are used to suit the substrate you are fastening to. It is important to use stainless steel or bi-metal screws for all metal surfaces impacted when fastening (i.e. furring channels, top hats, steel frames). This will prevent galvanic reaction between the screw/substrate and aluminium extrusion.
- Fasten at maximum 1 metre spans. Please contact Covet for further information.

		Product Name				Project Name	Date	Page	Scale	Projection
		KOSHI PLANKS					07/2021	7 of 7		
										
	Install	Never strike extrusion directly with a hammer or rubber mallet. Use a pine plank between the tool and the extrusion to avoid surface damage or denting.	Approval	Check	Drawing	Design			Melbourne Showroom 2 Ginibi Drive Altona North VIC 3025	
	End Caps	Screw fix or apply exterior grade adhesive (Sikaflex) to secure cap to batten.								