

Koshi batten detail

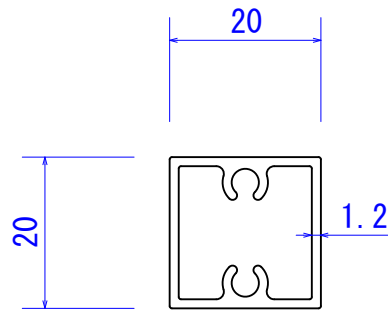
Profile: Koshi Square 20x20

Weight: 0.316kg/m

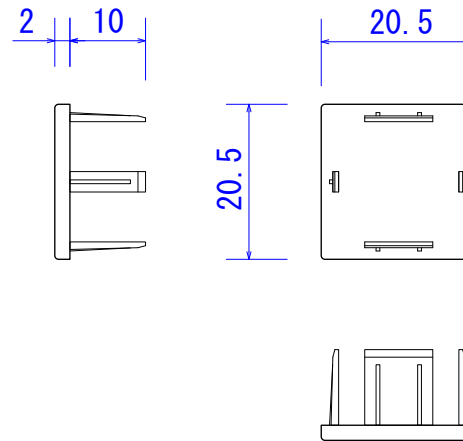
Batten thickness: 1.2mm


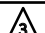


End cap thickness: 2.0mm

End cap: Coloured ABS plastic



Endcap detail



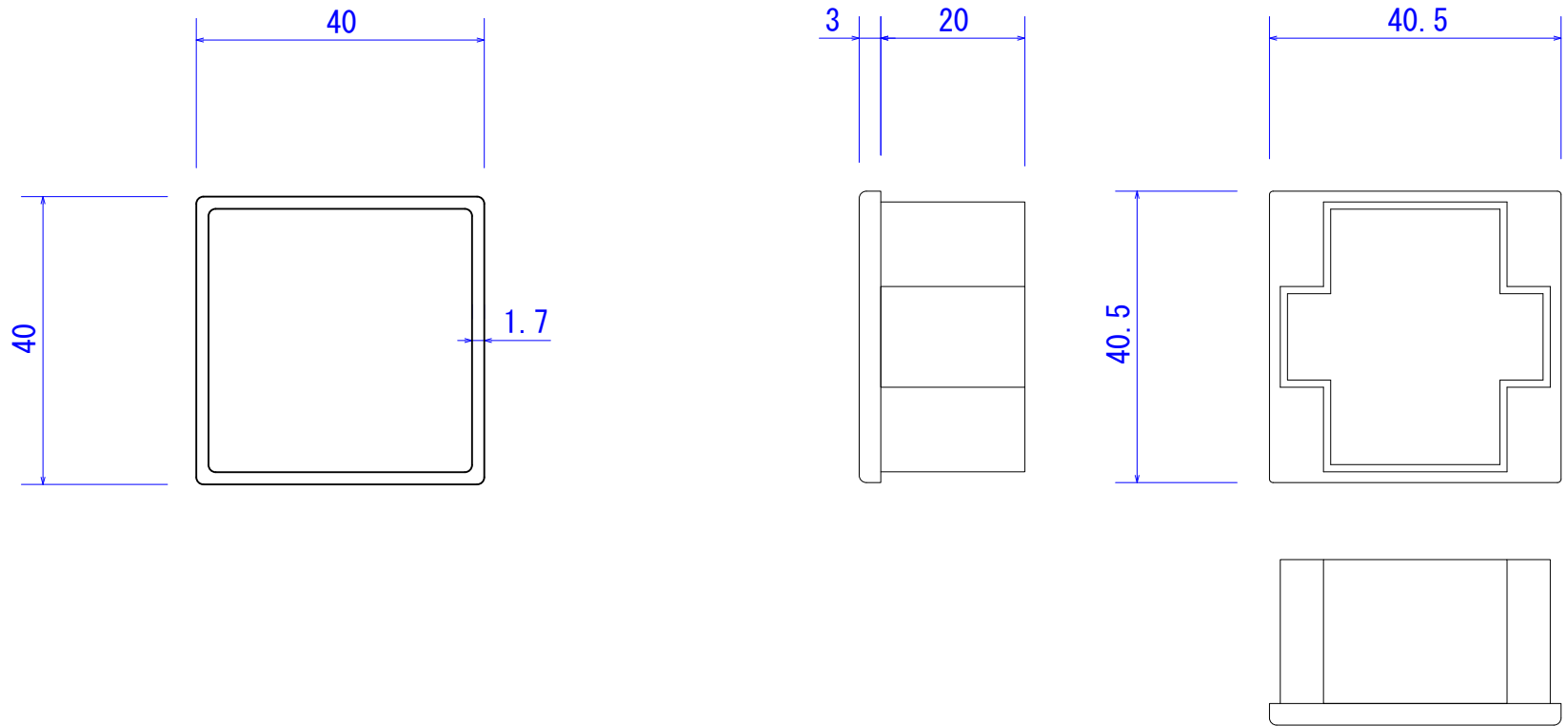
		Product Name				Project Name		Date	Page	Scale	Projection
		KOSHI SQUARE 20X20						07/2021	1 of 8	1:1	
	Install	Never strike extrusion directly with a hammer or rubber mallet. Use a pine plank between the tool and the extrusion to avoid surface damage or denting.				Approval	Check	Drawing	Design	 Melbourne Showroom 2 Ginibi Drive Altona North VIC 3025 T +613 9398 8128 info@covet.com.au www.covet.com.au	
	End Caps	Screw fix or apply exterior grade adhesive (Sikaflex) to secure cap to batten.									






Koshi batten detail

Profile: Square 40x40

Weight: 0.703kg/m
 Batten thickness: 1.7mm
 End cap thickness: 3.0mm
 End cap: Coloured ABS plastic

Endcap detail



			Product Name				Project Name	Date	Page	Scale	Projection	
			KOSHI SQUARE 40X40					07/2021	2 of 8	1:1		
			Approval	Check	Drawing	Design			Melbourne Showroom 2 Ginibi Drive Altona North VIC 3025		T +613 9398 8128 info@covet.com.au www.covet.com.au	
	Install	Never strike extrusion directly with a hammer or rubber mallet. Use a pine plank between the tool and the extrusion to avoid surface damage or denting.										
	End Caps	Screw fix or apply exterior grade adhesive (Sikaflex) to secure cap to batten.										

Koshi batten detail

Profile: Square 60x60

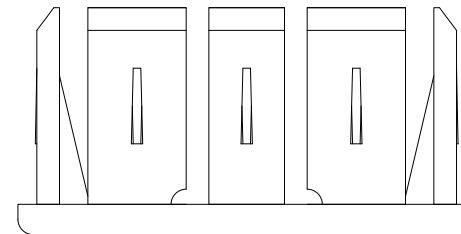
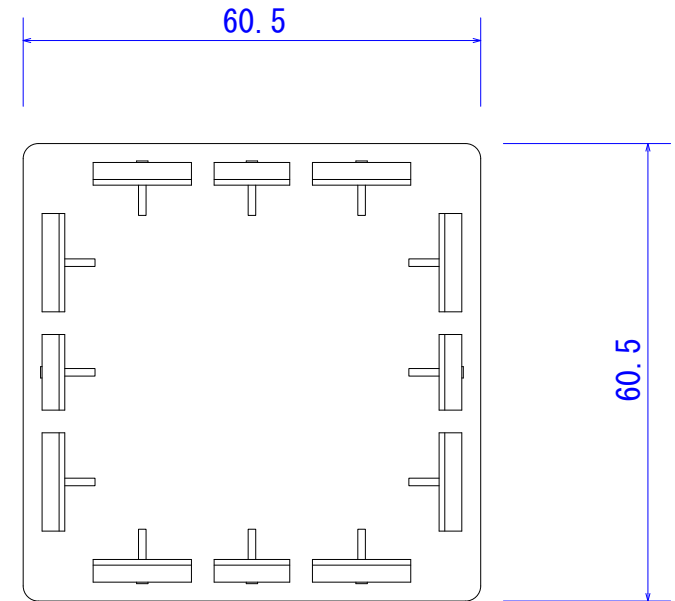
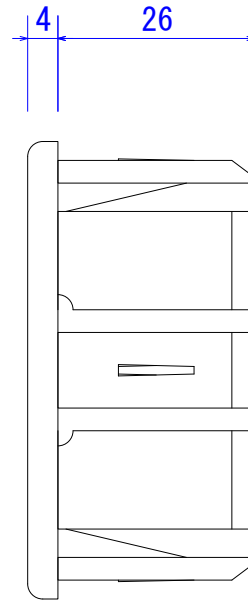
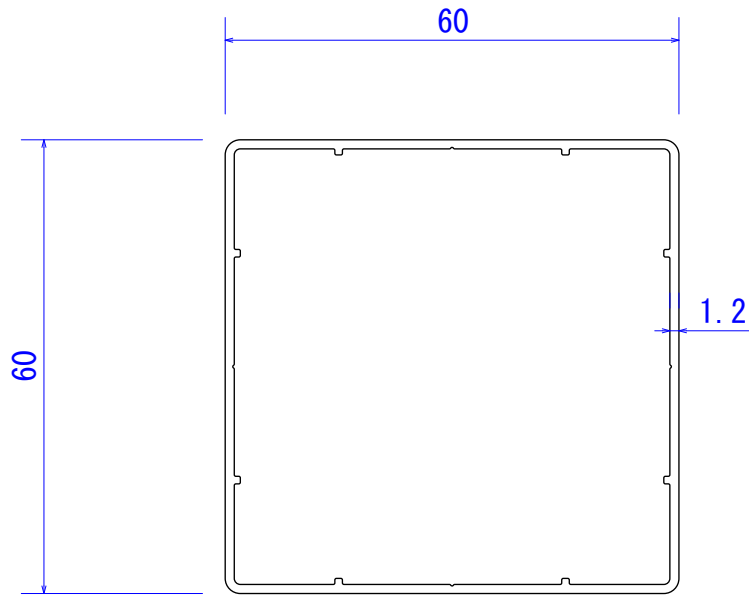
Weight: 0.754kg/m






Batten thickness: 1.2mm

End cap thickness: 4.0mm

End cap: Coloured ABS plastic

Endcap detail



		Product Name				Project Name		Date	Page	Scale	Projection	
		KOSHI SQUARE 60X60						07/2021	3 of 8	1:1		
												
	Install	Never strike extrusion directly with a hammer or rubber mallet. Use a pine plank between the tool and the extrusion to avoid surface damage or denting.				Approval	Check	Drawing	Design	 <div style="display: flex; justify-content: space-between;"> <div> <p>Melbourne Showroom 2 Ginibi Drive Altona North VIC 3025</p> </div> <div> <p>T +613 9398 8128 info@covet.com.au www.covet.com.au</p> </div> </div>		
	End Caps	Screw fix or apply exterior grade adhesive (Sikaflex) to secure cap to batten.										

Koshi batten detail

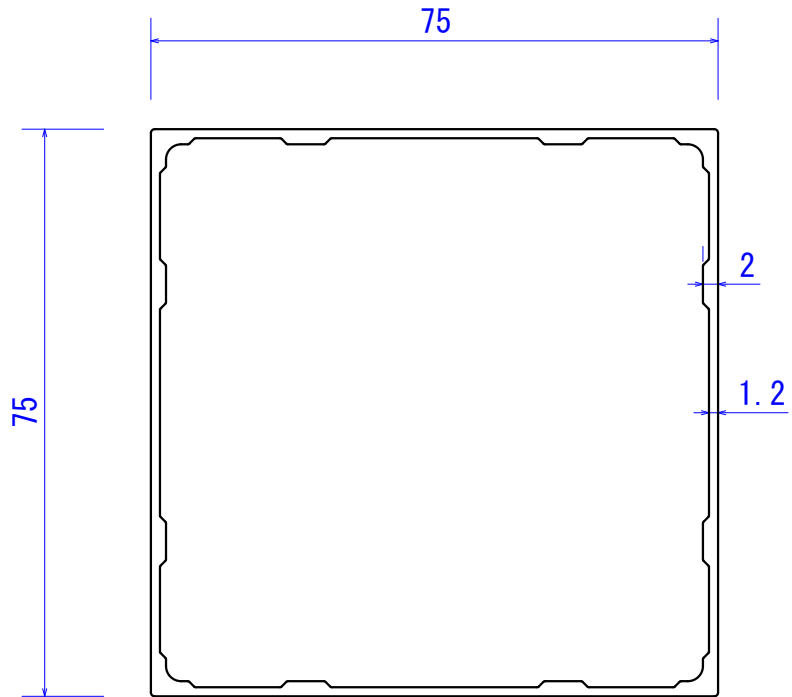
Profile: Square 75x75

Weight: 1.13kg/m

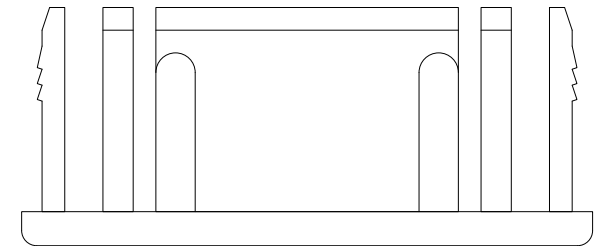
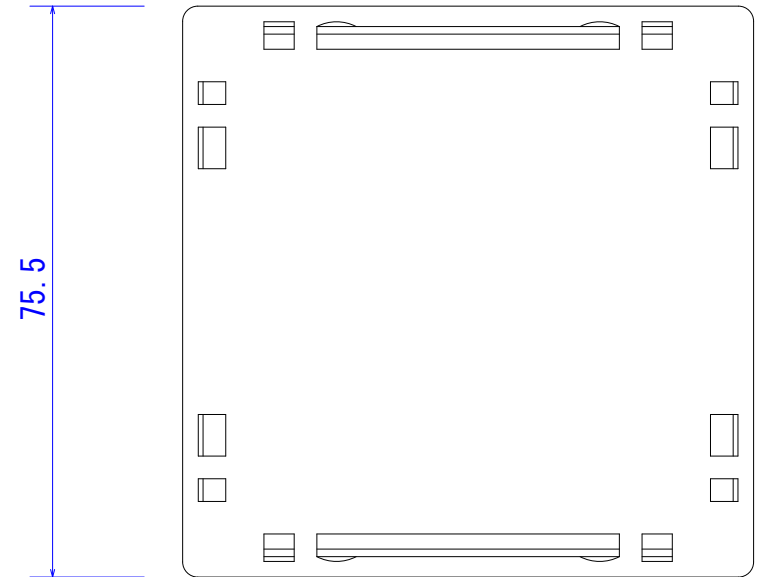
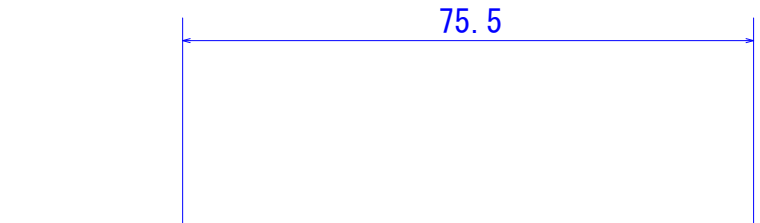
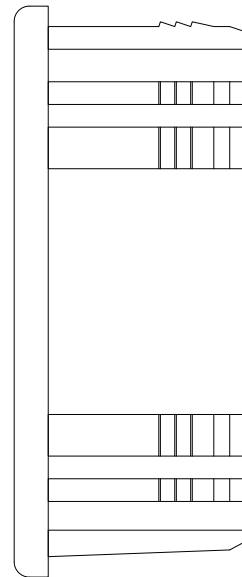
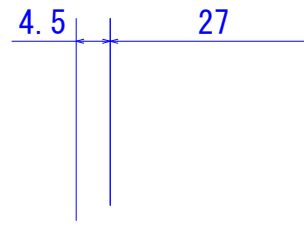
Batten thickness: 1.2 / 2.0mm






End cap thickness: 4.5mm

End cap: Coloured ABS plastic



Endcap detail



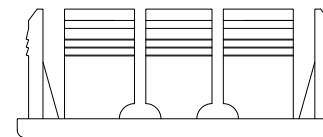
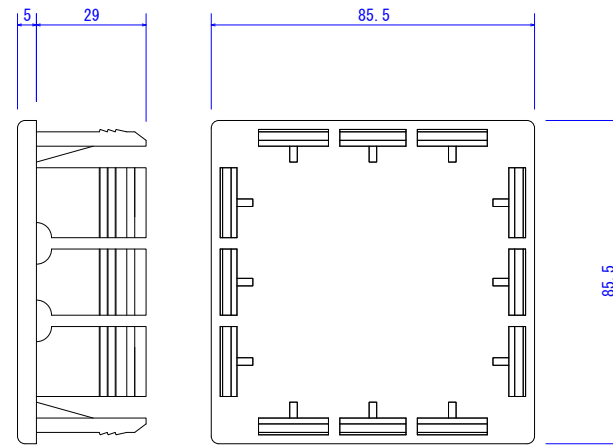
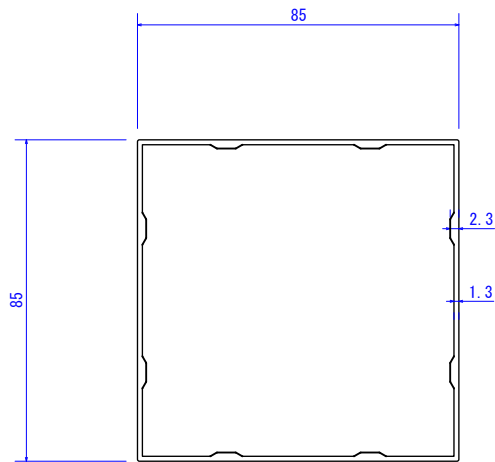
		Product Name				Project Name		Date	Page	Scale	Projection	
		KOSHI SQUARE 75X75						07/2021	4 of 8	1:1		
												
	Install	Never strike extrusion directly with a hammer or rubber mallet. Use a pine plank between the tool and the extrusion to avoid surface damage or denting.				Approval	Check	Drawing	Design	 Melbourne Showroom 2 Ginibi Drive Altona North VIC 3025 T +613 9398 8128 info@covet.com.au www.covet.com.au		
	End Caps	Screw fix or apply exterior grade adhesive (Sikaflex) to secure cap to batten.										






Koshi batten detail

Profile: Square 85x85

Weight: 2.218kg/m
 Batten thickness: 1.3 / 2.3mm
 End cap thickness: 5.0mm
 End cap: Coloured ABS plastic

Endcap detail



		Product Name				Project Name		Date	Page	Scale	Projection	
		KOSHI SQUARE 85X85						07/2021	5 of 8	1:2		
												
	Install	Never strike extrusion directly with a hammer or rubber mallet. Use a pine plank between the tool and the extrusion to avoid surface damage or denting.				Approval	Check	Drawing	Design	 Melbourne Showroom 2 Ginibi Drive Altona North VIC 3025 T +613 9398 8128 info@covet.com.au www.covet.com.au		
	End Caps	Screw fix or apply exterior grade adhesive (Sikaflex) to secure cap to batten.										

Koshi batten detail

Profile: Square 100x100

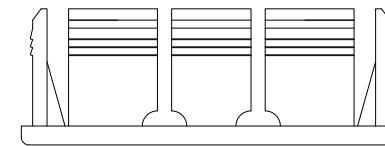
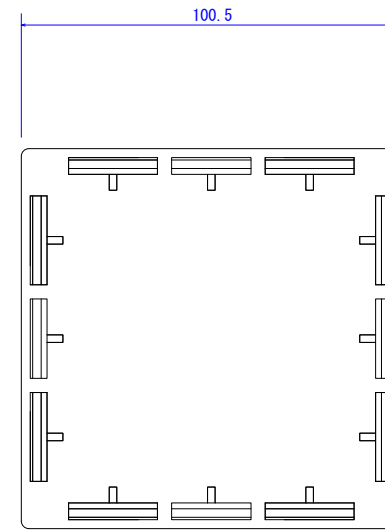
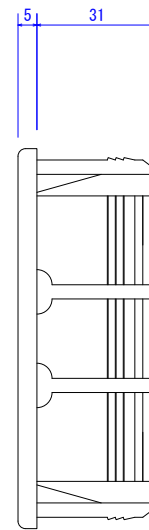
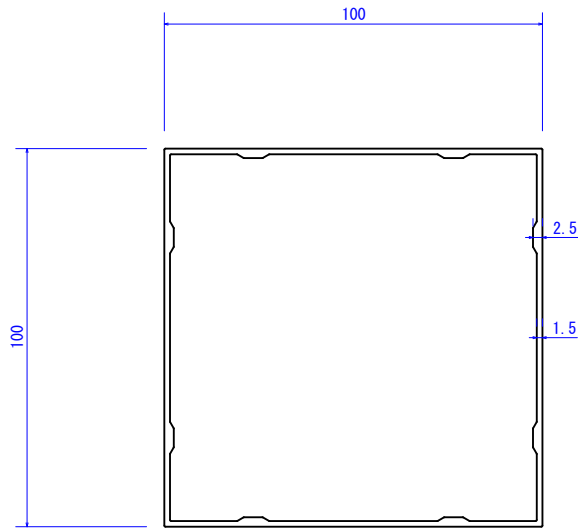
Weight: 0.741 kg/m






Batten thickness: 1.5 / 2.5mm

End cap thickness: 5.0mm

End cap: Coloured ABS plastic

Endcap detail



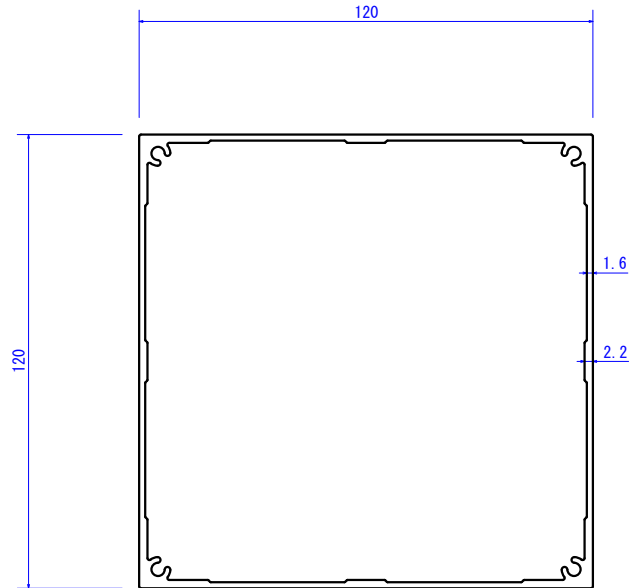
		Product Name				Project Name		Date	Page	Scale	Projection	
		KOSHI SQUARE 100X100						07/2021	6 of 8	1:2		
												
	Install	Never strike extrusion directly with a hammer or rubber mallet. Use a pine plank between the tool and the extrusion to avoid surface damage or denting.				Approval	Check	Drawing	Design	 <div style="display: flex; justify-content: space-between;"> <div> <p>Melbourne Showroom 2 Ginibi Drive Altona North VIC 3025</p> </div> <div> <p>T +613 9398 8128 info@covet.com.au www.covet.com.au</p> </div> </div>		
	End Caps	Screw fix or apply exterior grade adhesive (Sikaflex) to secure cap to batten.										

Koshi batten detail

Profile: Square 120x120 (No caps)

Weight: 2.527 kg/m






Batten thickness: 1.6 / 2.2mm



		Product Name				Project Name		Date	Page	Scale	Projection	
		KOSHI SQUARE 120X120						07/2021	7 of 8	1:2		
	Install	Never strike extrusion directly with a hammer or rubber mallet. Use a pine plank between the tool and the extrusion to avoid surface damage or denting.				Approval	Check	Drawing	Design	Melbourne Showroom 2 Ginibi Drive Altona North VIC 3025 T +613 9398 8128 info@covet.com.au www.covet.com.au		

Koshi Batten Installation Guide

- Aluminium can be damaged if mishandled. Never strike directly with a hammer or rubber mallet. Use a pine plank between the striking rubber mallet and the extrusion to avoid surface damage or denting.
- Cut aluminium with a drop saw using an aluminium blade.
- Always cap ends of extrusions with supplied end caps or a flashing to avoid moisture ingress.
- Metal end caps (painted) must be screwed to the extrusion.
- All end caps can only be applied to straight 90 degree cuts. They cannot be applied to angle end cuts.
- Ensure appropriate screws are used to suit the substrate you are fastening to. It is important to use stainless steel or bi-metal screws for all metal surfaces impacted when fastening (i.e. furring channels, top hats, steel frames). This will prevent galvanic reaction between the screw/substrate and aluminium extrusion.
- Fasten at maximum 1 metre spans. Please contact Covet for further information.

		Product Name				Project Name	Date	Page	Scale	Projection
		KOSHI BATTENS					07/2021	8 of 8		
										
	Install	Never strike extrusion directly with a hammer or rubber mallet. Use a pine plank between the tool and the extrusion to avoid surface damage or denting.	Approval	Check	Drawing	Design			Melbourne Showroom 2 Ginibi Drive Altona North VIC 3025	
	End Caps	Screw fix or apply exterior grade adhesive (Sikaflex) to secure cap to batten.								